

# MODEL Q-5SS

## INSTALLATION INSTRUCTION SHEET

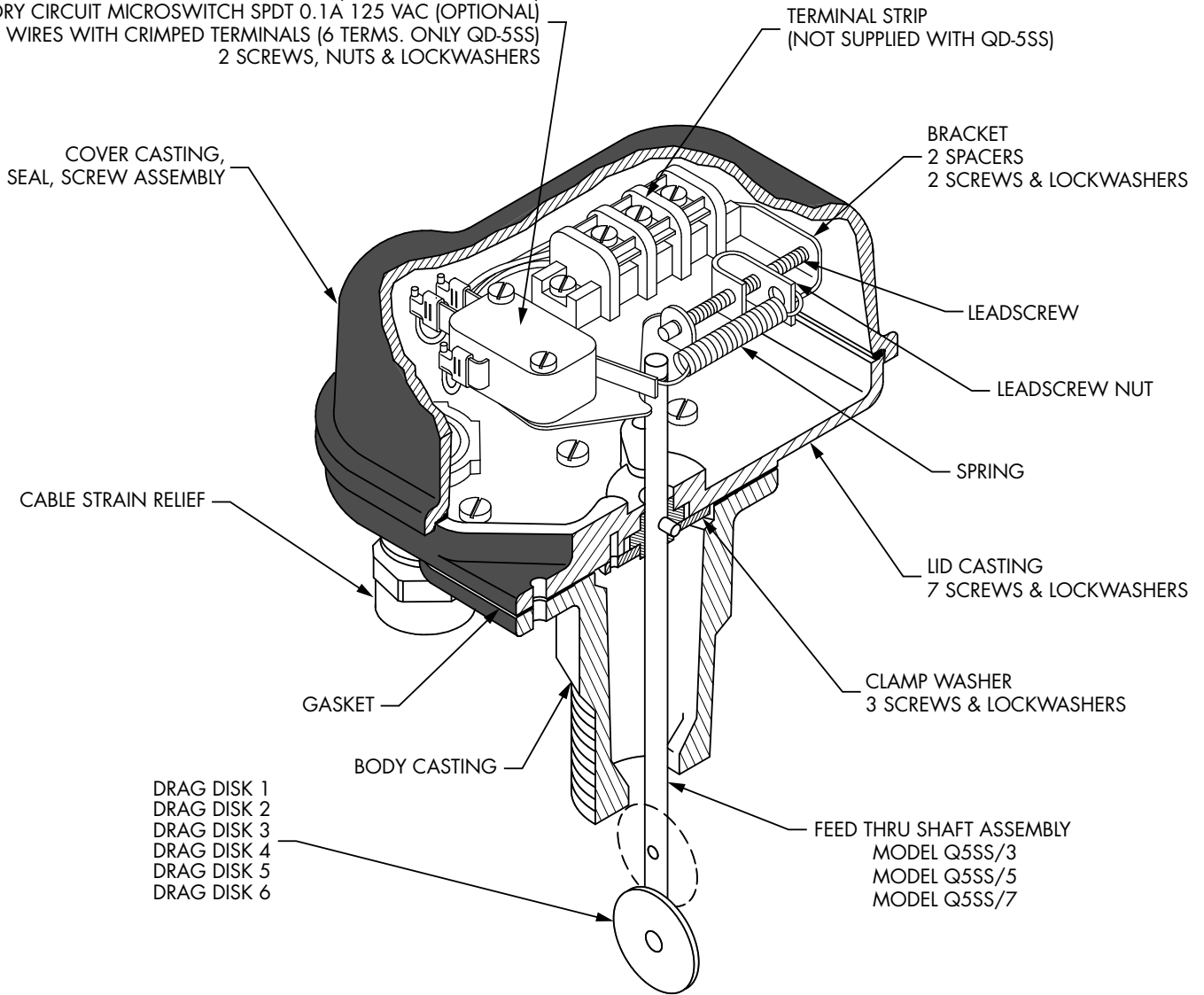
**HARWIL CORPORATION**

541 KINETIC DRIVE, OXNARD, CA 93030

TEL: (805) 988-6800 FAX: (805) 988-6804

EMAIL: HARWIL@HARWIL.COM

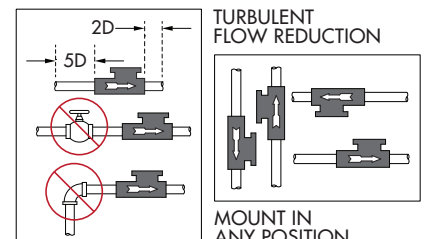
SPDT 15 AMP MICROSWITCH 125/240 VAC (2 REQ'D FOR QD-5SS)  
 DRY CIRCUIT MICROSWITCH SPDT 0.1A 125 VAC (OPTIONAL)  
 3 WIRES WITH CRIMPED TERMINALS (6 TERMS. ONLY QD-5SS)  
 2 SCREWS, NUTS & LOCKWASHERS



This parts list applies to all models of Q-5SS and QD-5SS fluid flow switches: Q-5SS/5, Q-5SS/7, QD-5SS/3, and QD-5SS/7. All letters and numbers added to model number after the above numbers apply to optional drag strips and electrical strain relief connectors.

### PARTS LIST FLUID FLOW SWITCH

**MODELS**  
 Q-5SS  
 QD-5SS



## INSTALLATION AND OPERATING INSTRUCTIONS

The gasket seal located between the main body casting and the lid casting is a cork-rubber composition, which is subject to a slight creep for a short period after application of the initial clamping load. All gaskets are properly clamped before shipment, however during shipping and storage, the gasket may compress, allowing the body-lid clamp bolts to become slightly loose. Tighten these bolts before assembling the flow switch in-system. No further creep of gasket will occur after second tightening. The Q-5SS fluid flow switch is supplied with a male 1" NPT which is threaded into an appropriate pipe tee, large pipe with reducer bushing, or directly into a hole threaded 1" NPT in the wall of the pipe. Turn until tight and arrow on body casting is pointed in direction of flow.

## ELECTRICAL WIRING

FIGURE 1: Wiring schematic for power applied to load when flow is GREATER than the set point (power to load interrupted when flow is LESS than set point).

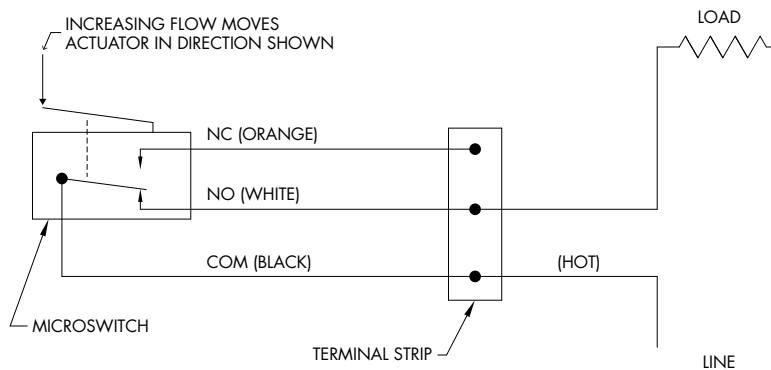
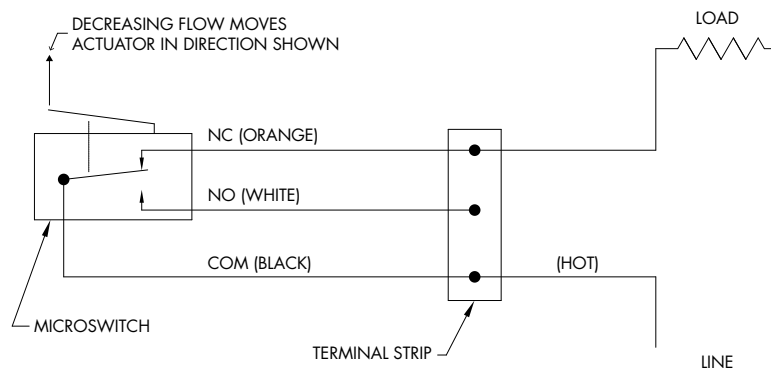


FIGURE 2: Wiring schematic for power applied to load when flow is LESS than the set point (power to load interrupted when flow is GREATER than set point).



# MODEL Q-5SS

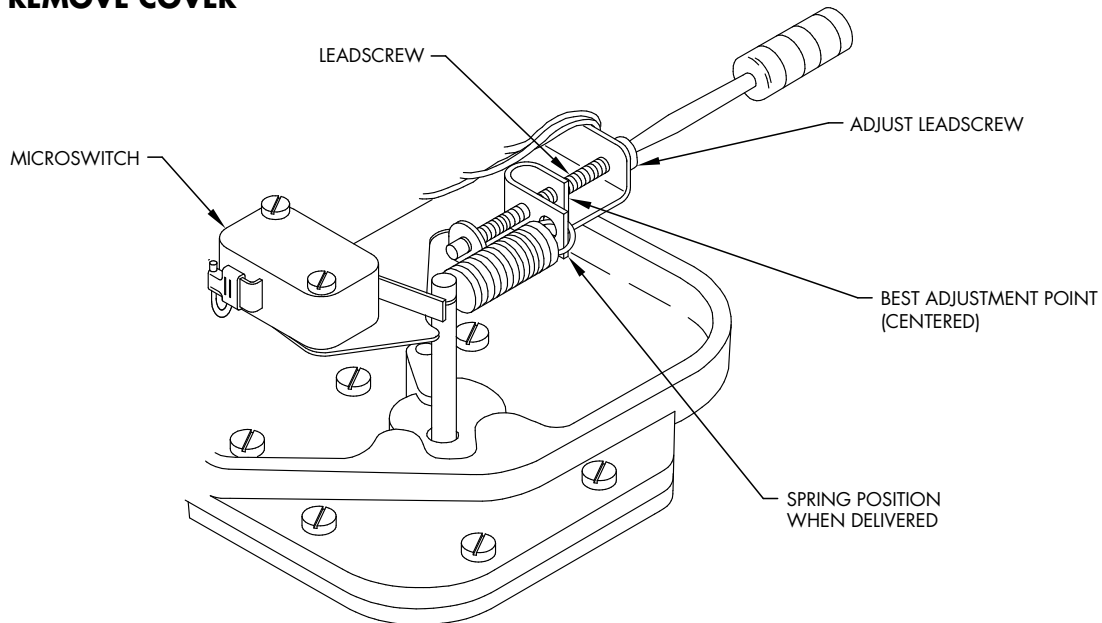
## INSTALLATION INSTRUCTION SHEET

**HARWIL CORPORATION**

541 KINETIC DRIVE, OXNARD, CA 93030  
TEL: (805) 988-6800 FAX: (805) 988-6804  
EMAIL: HARWIL@HARWIL.COM

## FLOW SWITCH OPERATIONAL ADJUSTMENT

### REMOVE COVER



## SWITCH POINT ADJUSTMENT

1. Remove cover.
2. Adjust fluid flow in system to desired rate **WITHOUT** regard to Q-5SS switch point setting.
3. The switch point adjusting mechanism consists of an adjusting screw, a "U" shaped lead screw nut, and a helical spring.

CLOCKWISE rotation of the adjusting screw changes the microswitch actuation point toward **HIGHER** flow rates.

NOTES: All Q-5SS units are factory set at the lower end of the flow range, e.g. the adjusting screw is set at the low flow counter-clockwise position.

The lead screw nut locks the adjusting screw in position, maintaining the flow switch set point under all environmental conditions.

4. Turn the adjusting screw in a clockwise direction until the microswitch is actuated, while maintaining the desired fluid flow rate in the system. Turn the adjusting screw **TWO (2)** additional turns in the clockwise direction and then slowly back off in a counter-clockwise direction, until the microswitch is again actuated. The Q-5SS flow switch is now set for maximum sensitivity for detecting small flow changes.
5. When set for maximum sensitivity (100% point) as described above, flow turbulence may cause rapid on/off switching (dithering) of the microswitch contacts, resulting in reduced switch contact life

# MODEL Q-5SS

## INSTALLATION INSTRUCTION SHEET

**HARWIL CORPORATION**

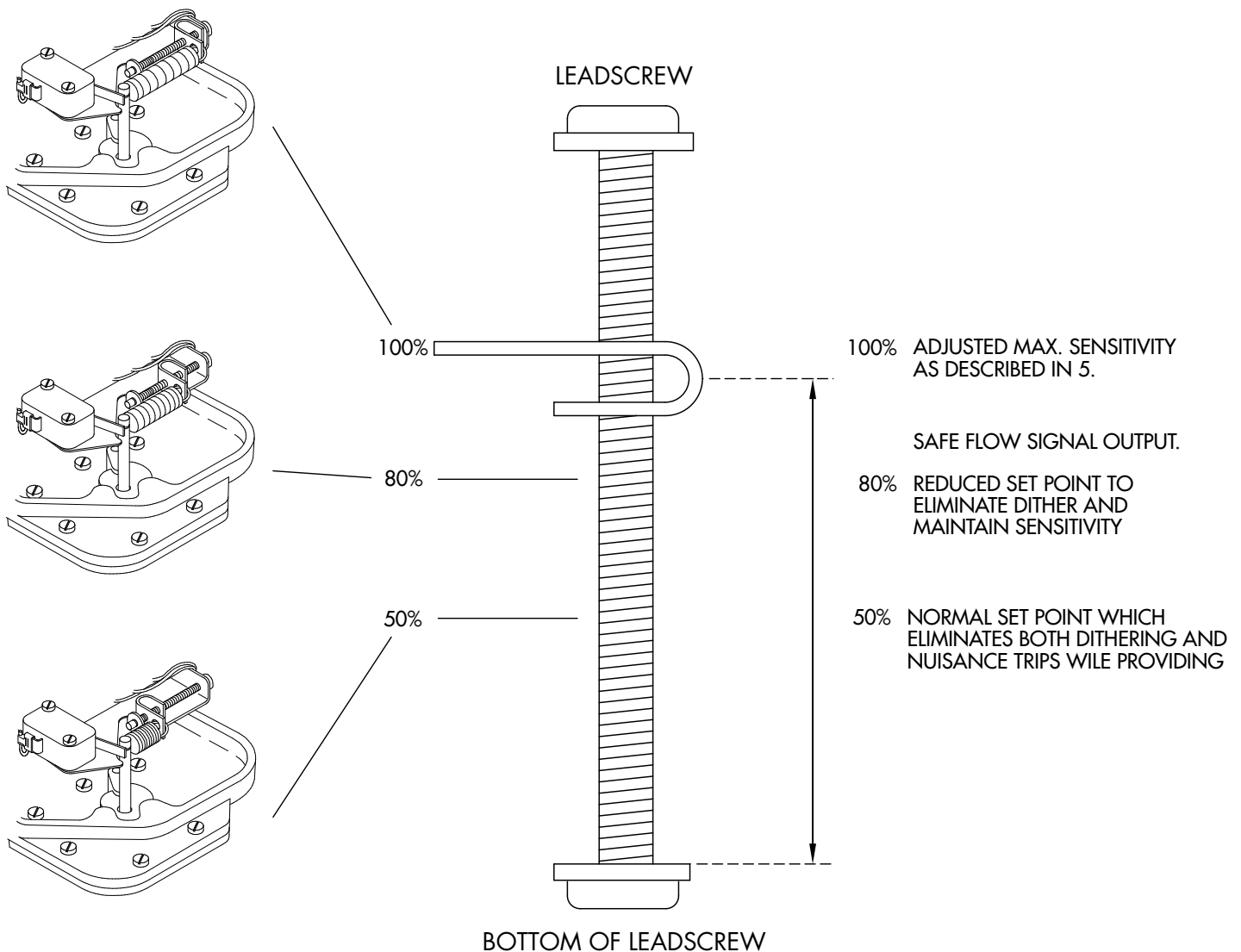
541 KINETIC DRIVE, OXNARD, CA 93030

TEL: (805) 988-6800 FAX: (805) 988-6804

EMAIL: HARWIL@HARWIL.COM

and "noise" in the electrical circuit. This is eliminated by turning the adjusting screw in a counter-clockwise direction.

6. Microswitch actuation point may be monitored during the adjustment procedure detailed in steps 4 and 5 by an audible click or with an ohmmeter before connecting line power to the terminal strip, or by monitoring the voltage supplied to the load through the microswitch.
7. If the system flow rate is changed, the Q-5SS can be adjusted to monitor the new flow rate by turning the adjusting screw in a counter-clockwise direction to the minimum flow position and then proceeding as in 4 and 5 above.
8. In the event that the system flow is at the desired rate and the adjustment mechanism runs out of



# MODEL Q-5SS

## INSTALLATION INSTRUCTION SHEET

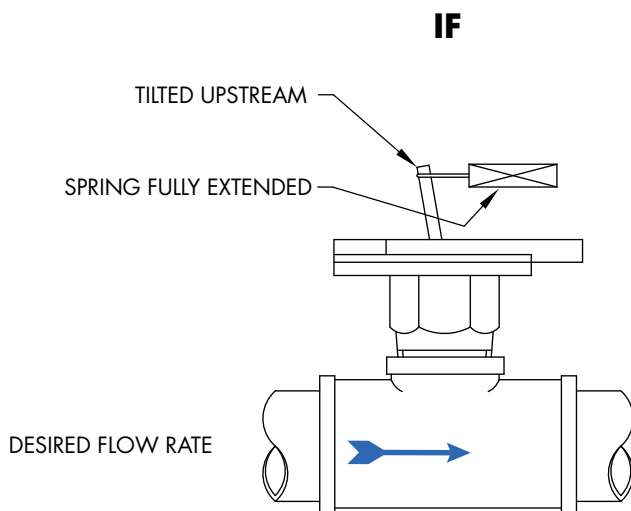
**HARWIL CORPORATION**

541 KINETIC DRIVE, OXNARD, CA 93030  
TEL: (805) 988-6800 FAX: (805) 988-6804  
EMAIL: HARWIL@HARWIL.COM

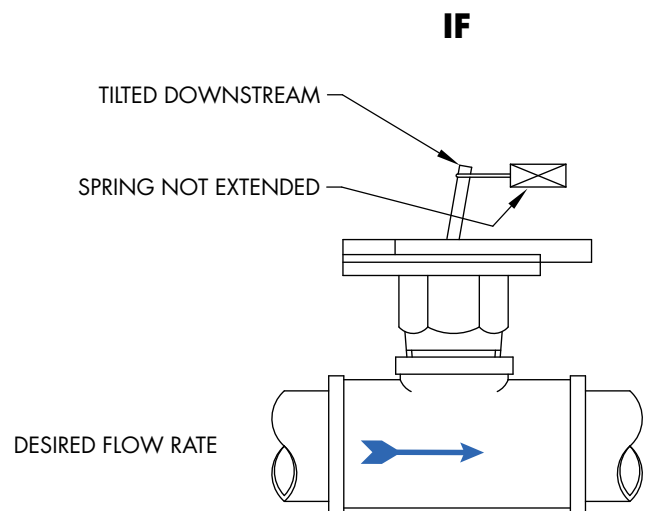
travel (e.g., the lead screw nut is at either end of the support bracket before the microswitch is actuated), then the drag disk must be changed to shift the flow switch flow range so that it straddles the system flow rate.

Example: If the Q-5SS is fitted with a #1 drag disk and procedure 4 has been followed, the adjusting lead screw has been turned clockwise until the lead screw nut is at the extreme end of the support bracket and the microswitch has still not been actuated, then the flow is too low and different drag disk must be substituted and procedure 4 repeated.

## GENERAL RULES FOR SELECTING A NEW DRAG DISK



THEN REPLACE DRAG DISK  
WITH NEXT SMALLER SIZE



THEN REPLACE DRAG DISK  
WITH NEXT LARGER SIZE

### Drag Disk Change

NOTE: It is not necessary to remove main body of switch from the line to change the drag disk

1. Remove cover.
2. Remove lid casting from main body casting.
3. Change drag disk on end of feed thru shaft.

### Terminal Strip Wiring

1. Loosen the round gland nut located on the electrical cable fitting.
2. Insert the cable through the grommet in the electrical cable fitting and tighten the gland nut sufficiently to seal the cable in place.
3. Strip the conductor ends approximately  $\frac{3}{16}$ "
4. Loosen the appropriate terminal strip screw and remove the empty terminal. Insert bare wire in terminal barrel and crimp. Place terminal strip in SAME orientation as received. This is IMPORTANT, since terminals and wires may interfere with the cover if the orientation is changed.

# MODEL Q-5SS

## INSTALLATION INSTRUCTION SHEET

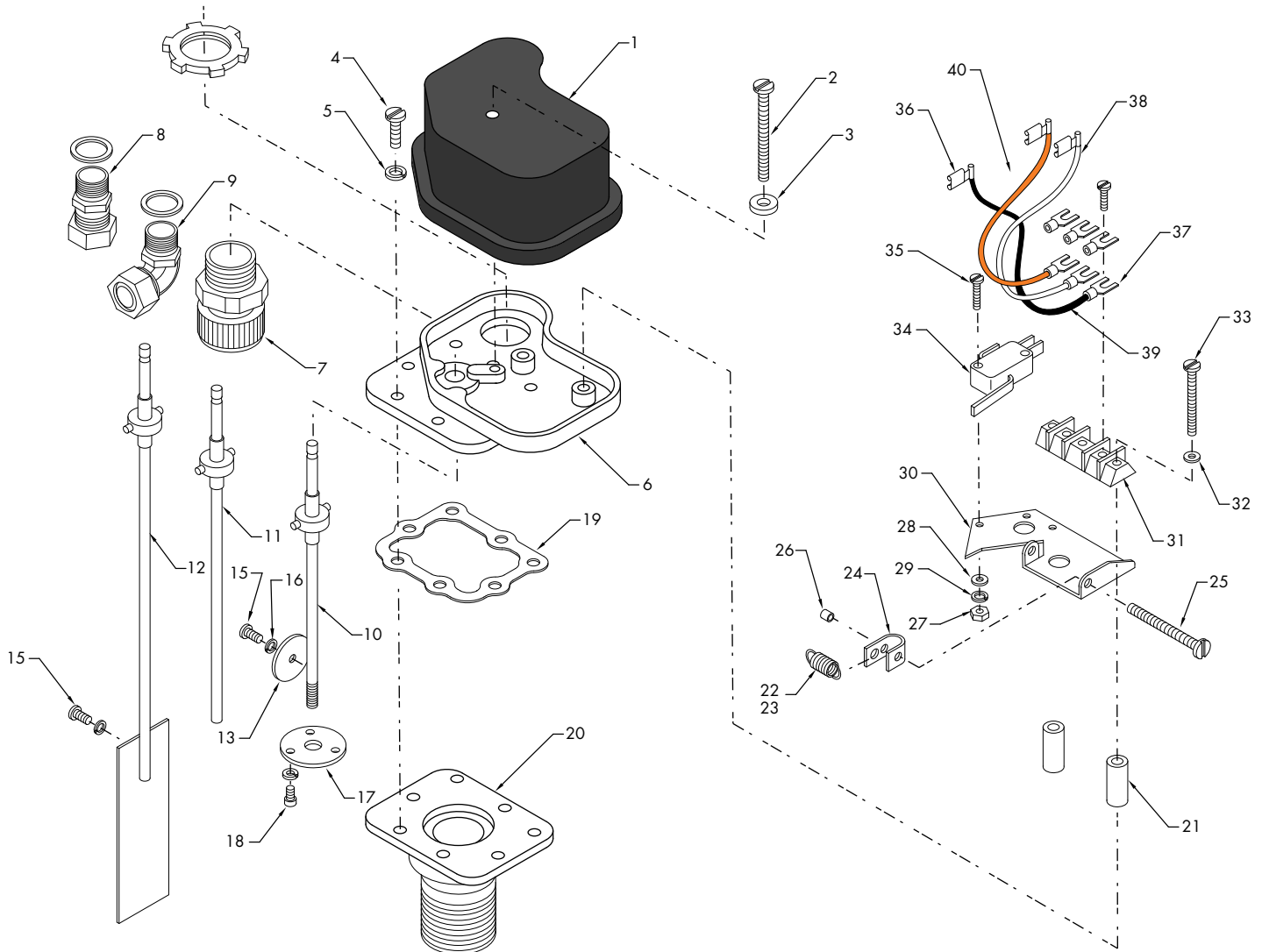
**HARWIL CORPORATION**

541 KINETIC DRIVE, OXNARD, CA 93030

TEL: (805) 988-6800 FAX: (805) 988-6804

EMAIL: HARWIL@HARWIL.COM

Q-5SS / QD-5SS (SERIES 20400)							
#	PART NAME	QTY	PART #	#	PART NAME	QTY	PART #
1	COVER CASTING	(1)	20300	15	SCREW	(1)	152-S
2	SCREW	(1)	112-S	16	WASHER	(2)	311-W
3	LOCK WASHER	(1)	321-W	17	CLAMP WASHER	(1)	324-W
4	SCREW	(7)	107-S	18	SCREW	(3)	118-S
5	WASHER	(7)	319-W	19	GASKET	(1)	20407
6	LID CASTING	(1)	20401	20	BODY CASTING	(1)	20408
7	CONNECTOR CABLE (OPTIONAL)	(1)	60116	21	SPACER	(2)	20315
	BODY	(1)	10429	22	SPRING (Q-5/3 ONLY)	(1)	20316
	NUT	(1)	10430	23	SPRING (Q-5/5 AND Q-5/7)	(1)	20108
	GROMMET #A (OPTIONAL)	(1)	10440	24	LEAD SCREW NUT	(1)	20107
	GROMMET #AA (OPTIONAL)	(1)	10441	25	LEAD SCREW	(1)	132-S
	GROMMET #B (OPTIONAL)	(1)	10442	26	SHRINK WRAP	(1)	901-F
	GROMMET #C (OPTIONAL)	(1)	10443	27	NUT	(2)	201-N
	LOCK NUT	(1)	101-DC	28	WASHER	(1)	300-W
	O-RING	(1)	20117	29	WASHER	(2)	311-W
8	CONNECTOR CABLE (OPTIONAL)	(1)	20115	30	BRACKET	(1)	20314
9	CONNECTOR CABLE (OPTIONAL)	(1)	20116	31	TERMINAL STRIP	(1)	20102
10	FEED THRU SHAFT (ASSEMBLY ONLY) (OPTIONAL)	(1)	20402	32	WASHER	(2)	313-W
11	FEED THRU SHAFT (ASSEMBLY ONLY) (OPTIONAL)	(1)	20403	33	SCREW	(2)	117-S
12	FEED THRU SHAFT (ASSEMBLY ONLY) (OPTIONAL)	(1)	20404	34	MICROSWITCH (2 REQ'D ON QD-5SS)	(1)	20103
	RUBBER MOLDED	(1)	20405	35	SCREW	(2)	116-S
	PIN	(1)	20406	36	TERMINALS	(3)	708-T
13	DRAG STRIP #1 (OPTIONAL)	(1)	20303	37	TERMINALS	(3)	706-T
	DRAG STRIP #2 (OPTIONAL)	(1)	20305	38	WIRE	(1)	20318
14	DRAG STRIP #3 (OPTIONAL)	(1)	20204	39	WIRE	(1)	20317
	DRAG STRIP #4 (OPTIONAL)	(1)	20205	40	WIRE	(1)	20319
	DRAG STRIP #5 (OPTIONAL)	(1)	20206	41	LABEL	(1)	20408
	DRAG STRIP #6 (OPTIONAL)	(1)	20207				



# CERTIFICATE OF CONFORMANCE

All Harwil Corporation ("HARWIL") products are manufactured using new materials and components. Our products meet the applicable performance and materials specifications indicated in our current Specifications Sheets and Parts List. HARWIL endeavors to obtain its materials and components from American Companies.

## **DOMINANCE OF HARWIL LIMITED EXPRESS WARRANTY**

Each user **MUST** make appropriate analysis and tests to determine the suitability of the HARWIL product for the intended use prior to purchase.

HARWIL warrants that all HARWIL products will be free from defects in material and workmanship for a period of one year from the date of original shipment. This Warranty shall be **LIMITED** to the replacement and reconditioning of our products and parts. HARWIL reserves the right and sole discretion to modify or change the composition, design and appearance of its products at anytime.

**THIS WARRANTY SHALL BE IN LIEU OF ALL WARRANTIES OF MERCHANTABILITY AND OF ALL WARRANTIES OF FITNESS FOR A PARTICULAR PURPOSE RELATING TO HARWIL PRODUCTS AND PARTS. BUYER'S SOLE REMEDY SHALL BE REPLACEMENT OR RECONDITIONING AS SET FORTH HEREIN.**

HARWIL SHALL INCUR NO OBLIGATIONS HEREUNDER AND NO LIABILITY IN THE EVENT OF (1) BUYER NOT FULFILLING ITS RESPONSIBILITIES; INCLUDING AS SET FORTH HEREIN; (2) NEGLIGENCE, ALTERATION OR IMPROPER PRODUCT USE, INCLUDING USE WITH NON-COMPATIBLE DEVICES OR CHEMICALS; OR (3) REPAIR BY ANOTHER COMPANY OR PERSON THAN HARWIL.

**ANY LAWSUIT RELATING TO THIS LIMITED EXPRESS WARRANTY MUST BE COMMENCED WITHIN ONE YEAR OF THE DATE THE LAWSUIT ACCRUES.**

HARWIL provides **NO WARRANTY** and **ASSUMES NO RESPONSIBILITY** for corrosive attack on any material, component or design features associated with any of its products.

Corrosion resistance information listed in HARWIL specification sheets, information sheets and product brochures is solely for general background information. This information table has been compiled from literature published by various material suppliers and by equipment manufacturers who use these materials in their products. Inasmuch as these data are based on tests by entities over which HARWIL has no control, HARWIL **DOES NOT GUARANTEE AND DOES NOT ACCEPT ANY RESPONSIBILITY FOR THE ACCURACY OF SUCH THIRD PARTY TESTING.** When using the table, please remember that in any given case several factors such as concentration, temperature, degrees of agitation and presence of impurities influence the rate of corrosion. The information table is intended, in a general way, to rate materials for resistance to chemicals which contain their usual impurities and for types of equipment in common use. Ratings should be used only as a general tool to first approximation of your material requirements rather than as the final answer.

**WHEN IN DOUBT, TEST MATERIALS BEFORE INSTALLATION.**

**AFTER INSTALLATION, FOLLOW UP WITH SCHEDULED PREVENTATIVE MAINTENANCE AND PERIODIC INSPECTION.**