

FLOW SWITCH

MODEL Q-16 STAINLESS STEEL

THE Q-16 STAINLESS STEEL. MAXIMUM RELIABILITY, MINIMUM COST.

The Q-16 Stainless Steel is the newest addition to Harwil's heavy-duty line of flow switches. The switch is used to signal, start, or stop electronically operated equipment when flow or no-flow conditions occur. The Q-16 Stainless Steel benefits from 40 years of flow switch development experience for every conceivable application.

Harwil's patented elastomeric sealing system is superior to the metal bellows that are subject to metal fatigue and corrosion. This seal system has been field-proven for over a decade.

The Q-16 Stainless Steel can be used in pipes 1 inch and larger, with set points as low as 4 GPM (15.2 LPM) to over 500 GPM (1,893 LPM) in larger pipe sizes. The Q-16 Stainless Steel uses a 15A SPDT micro switch that can control a ½ horsepower motor.

- Multiple Quick-Change Paddles
- Patented EPDM Seal, Superior To Metal Bellows
- Field Adjustable Set Points
- Field Adjustable Paddles
- Direct Replacement For Most Paddle-Type Flow Switches
- Best Flow Sensitivity Among Paddle-Type Flow Switches
- Stainless Steel Paddles And Shaft
- NEMA 1 Enclosure
- Industry-Leading 3 Year Warranty**



KEY FEATURES

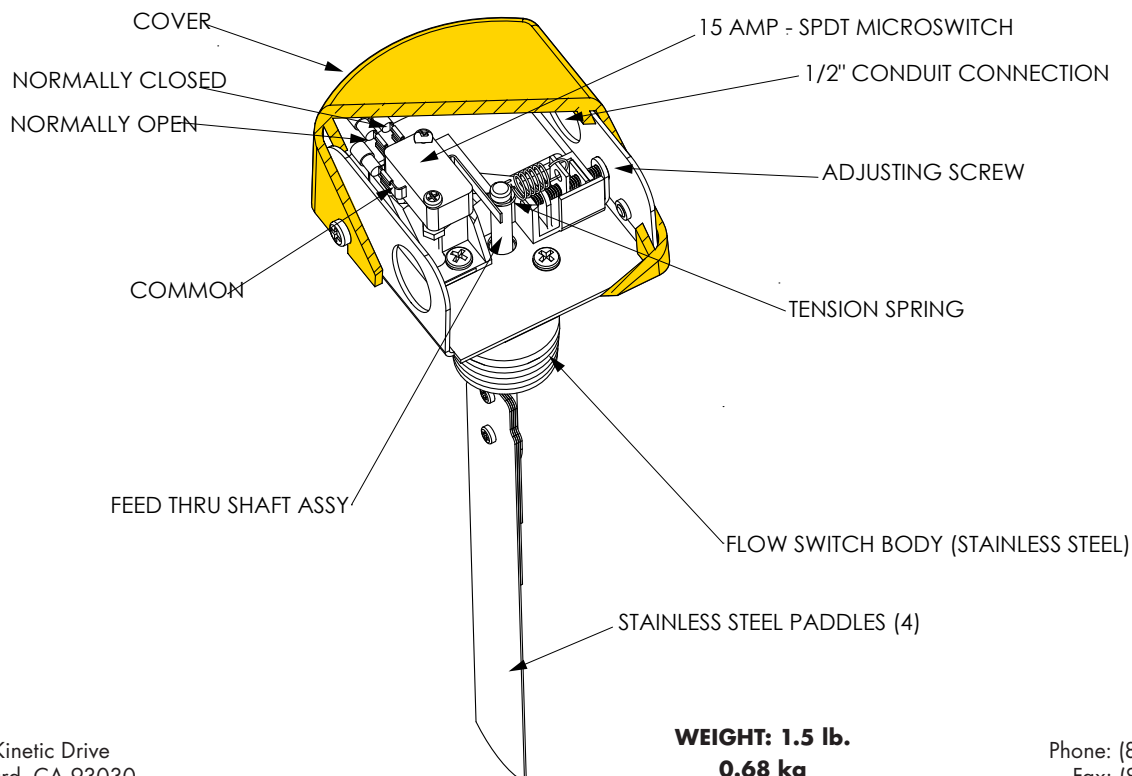
Flow Range	4-500 GPM (15-1,893 L/m)
Working Temp	250°F (121°C) Maximum
Working Pressure	200 psi (1.379 kPa)
Process Connection	1" NPT
Electrical Switch	SPDT 15A or Dry Circuit
Enclosure	NEMA 1 (Not for use in hazardous locations)
Enclosure	NEMA 1 / IP 10

TYPICAL USES

For use in	
Boilers	Cooling Towers
Chillers	Water Treatment
Irrigation	

For direct replacement of most 1" paddle style flow switches.

PRODUCT DIAGRAM



WEIGHT: 1.5 lb.
0.68 kg

Phone: (805) 988-6800
Fax: (805) 988-6804
Email: harwil@harwil.com



541 Kinetic Drive
Oxnard, CA 93030
www.harwil.com

MODEL Q-16 STAINLESS STEEL

MODEL SELECTION CHART				
Flow Range (Water calibrated at 70°F / 21°C) Accuracy ±10%				
PIPE SIZE NPT	SWITCHPOINT RANGE (GPM)			
	MIN. ADJUST.		MAX. ADJUST.	
	ON	OFF	ON	OFF
1½"	7	5	13	11
2"	12	7	27	26
2½"	18	12	35	32
3"	27	19	52	49
4"	63	50	123	120
5"	125	100	238	232
6"	190	158	350	338

Call our customer support for a wider range of pipe sizes. (805) 988-6800

* Special fittings required for use in PVC or CPVC pipe.

HYSTERESIS (Δ FLOW RATE TO ACTIVATE/DEACTIVATE SWITCH)

≈ 10% at upper end of flow range
≈ 30% at lower end of flow range

DIFFERENTIAL PRESSURE DROPS ACROSS UNIT

Under normal operating conditions:

≈ 1"-3" pipe, less than 1 psi
≈ 4"-48" pipe, negligible

WORKING LINE PRESSURE

200 psig max.

WORKING TEMPERATURE

250°F max. continuous.

WETTED MATERIALS

Body: 304 Stainless Steel
Shaft: 304 Stainless Steel

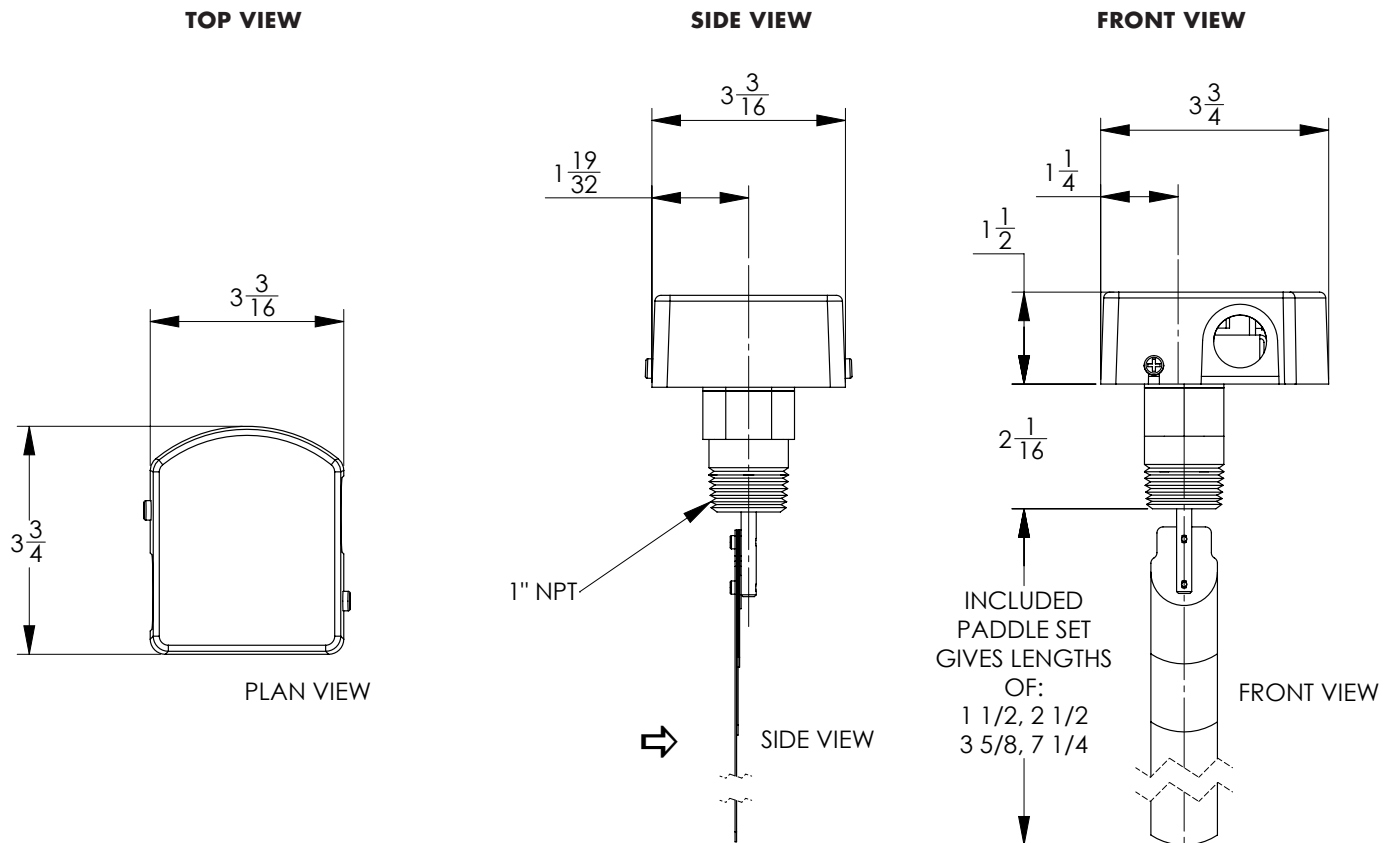
Paddle: 316 stainless steel
Seal: EPDM

ELECTRICAL SWITCH CHARACTERISTICS

SPDT
15A, ½ hp @ 125 or 250VAC
½A @ 125VDC

¼A @ 250VDC
10,000,000 Operations Median

INSTALLATION DIMENSIONS



- Installation drawing and a numbered parts list is supplied with each unit.
- Special one-day delivery is available.