

CHEMICAL FEED CONTROLLER

MODEL CF-8/1G CF-8/2G

The CF-8 is a stand alone interface module that automatically actuates a chemical feed pump when primary bulk fluid begins to flow.

This module can be used in isolated stand alone systems or part of large complex systems.

Model CF-8 is available for 120VAC, 50-60 Hz power as standard.

Available with 1 or 2 sets of receptacles.



**12' 16/3 AWG
CORD LENGTH**

ALSO SEE:

- CF-112: Light Duty**
- CF-12: Medium Duty**
- CF-8: Heavy Duty**

KEY FEATURES

Flow Range	5 - 80 GPM (18-302 L/m)
Working Temp	180°F (82°C) Maximum
Working Pressure	100 psig @ 180°F (466°F kPa)
Process Connection	1" NPT
Electrical Switch	SPDT, ½hp 13A or Dry Circuit
Enclosure	NEMA 3R / IP 14

TYPICAL USES

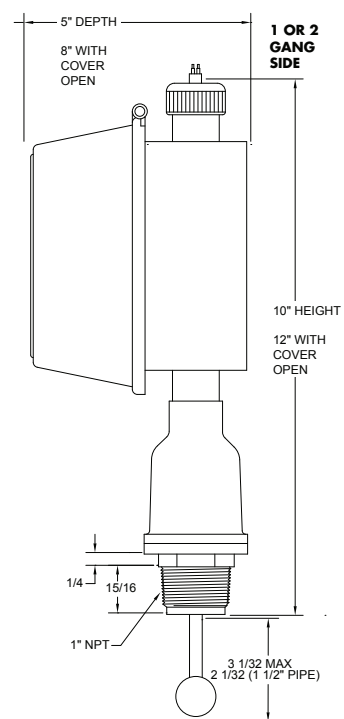
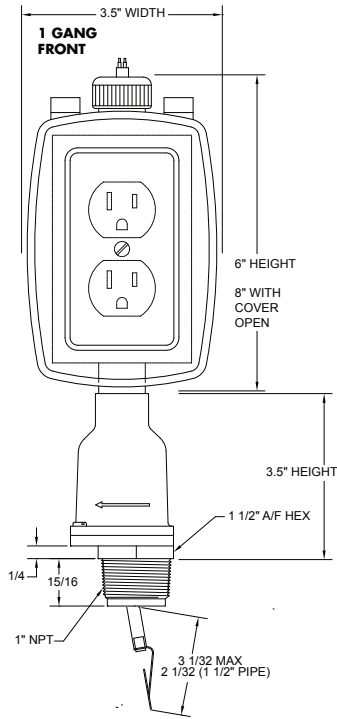
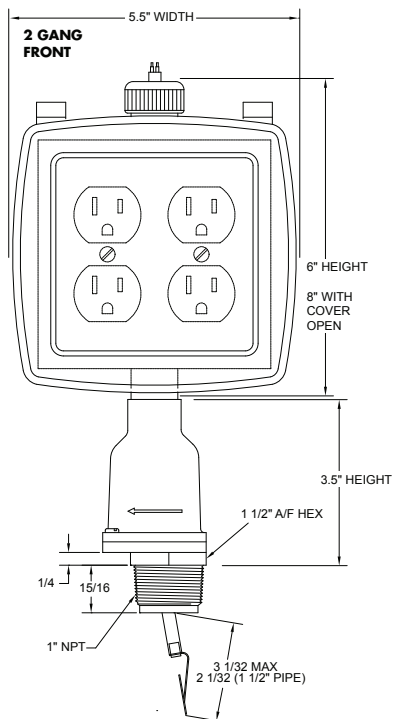
Monitoring fluid flow in:

- Air Conditioning Systems
- Cooling in Data Centers
- Chillers
- Fluid Blending Systems
- Natural Gas
- Industrial Refrigeration Systems
- Pools and Spas
- Scrubbers
- Water Treatment Systems

≈ TYPICAL WORKING FLUIDS

- Filtered Sewage Water
- Mild Acids
- Rusty Coolant Water
- Waste Water
- Contaminated Ground Water
- Sulfolane
- Sea Water
- Pool Water (low ppm Chlorine)

▲ INSTALLATION DIMENSIONS



541 Kinetic Drive
Oxnard, CA 93030
www.harwil.com
16.285

Phone: (805) 988-6800
Fax: (805) 988-6804
Email: harwil@harwil.com

MODEL CF-8/1G CF-8/2G

MODEL SELECTION CHART			
Flow Range (Water calibrated at 70°F / 21°C) Accuracy ±10%			
PIPE SIZE NPT	NOMINAL ON/OFF SWITCH POINT RANGE (GPM)	SHAFT LENGTH	PADDLE NUMBER
1"	5.0 - 3.0	-	10512
	9.6 - 7.5	1	2
	15.4 - 18.0	1	1
1 1/2"	12.0 - 9.5	-	10502
	14.2 - 11.8	2	3
	19.0 - 13.5	-	10570A
	22.5 - 19.0	2	2
	34.4 - 30.4	2	1
2"	14.4 - 10.2	-	10593
	16.5 - 11.0	-	10566
	25.8 - 21.8	2	3
	39.8 - 33.6	2	2
	58.0 - 50.8	2	1
3"	42.4 - 37.0	3	3
	55.6 - 49.8	3	2
	80.6 - 65.2	3	1

Call our customer support for a wider range of pipe sizes. (805) 988-6800

TECHNICAL SPECIFICATIONS

HYSTERESIS (Δ FLOW RATE TO ACTIVATE/DEACTIVATE SWITCH)

- ≈ 10% at upper end of flow range
- ≈ 30% at lower end of flow range

DIFFERENTIAL PRESSURE DROPS ACROSS UNIT

Under normal operating conditions:

- ≈ 1"-3" pipe, less than 0.5 psi
- ≈ 4"-10" pipe, negligible

WORKING LINE PRESSURE:

- 50 psi max., operating @ 180°F
- 100 psi max. non-operating @ 180°F
- Pressure over 50 psi can affect the switch point range

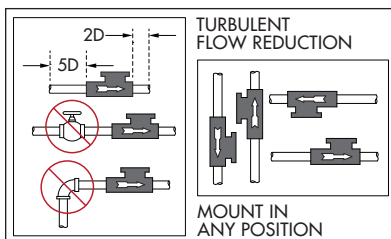
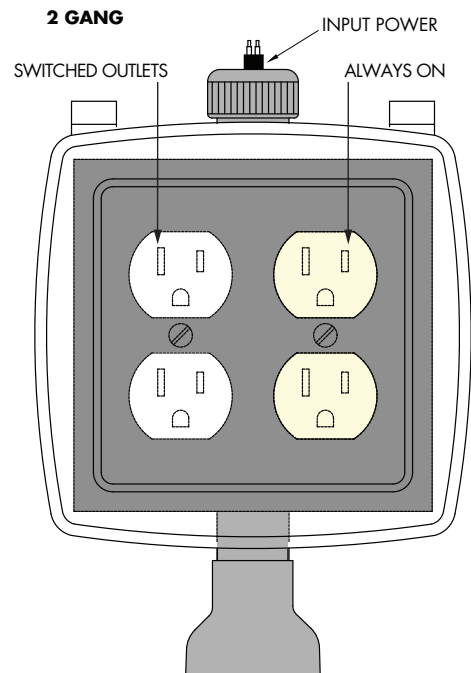
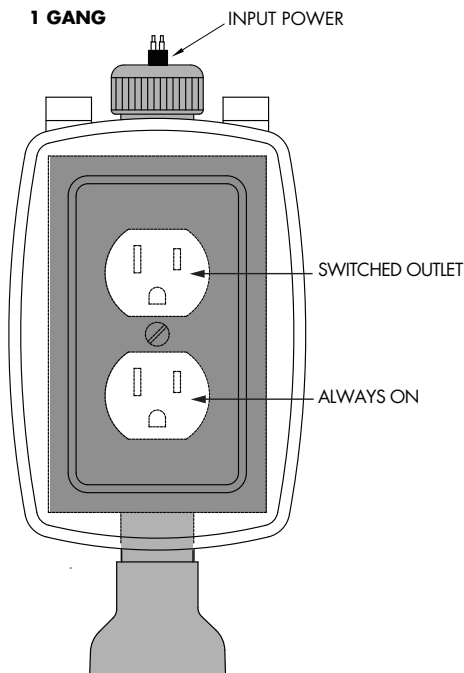
ELECTRICAL SWITCH CHARACTERISTICS

- SPDT 10,000,000 Operations Median
- 13A, 1/2 hp @ 125VAC
- 1/2A @ 125VDC (tungsten lamp load)

SAMPLE PART NUMBER

	OPTION 1: CF-8	/1	/1
	BASE MODEL	↑	↑
	SHAFT LENGTH		
	PADDLE SIZE		

PRODUCT DIAGRAM



- Installation drawing and a numbered parts list is supplied with each unit.
- Special one-day delivery is available.