

FLOW SWITCH

MODEL Q-8DS Q-8DS DPDT



During normal operations flow switches increase efficiency, save time and money by the continuous monitoring of deviations from optimum flow rates. During emergency conditions flow switches signal system malfunctions such as line breakage, pump failure, incorrect valve opening or closing, pipe, valve or filter clogging, etc.

Designed for long-term reliability and chemical resistance.

Detects and signals flow change.

Responds to flow only, independent of line pressure, temperature, environment

Super-simple maintenance and checkout for personnel using a standard test meter.



KEY FEATURES

Flow Range	5 - 80 GPM (18-302 L/m)
Working Temp	180°F (82°C) Maximum
Working Pressure	50 psig @ 180°F (466°F kPa)
Process Connection	1" NPT
Electrical Switch	SPDT, ½hp 15A or Dry Circuit
Enclosure	NEMA 6P / IP 67

TYPICAL USES

Monitoring fluid flow in:

Air Conditioning Systems	Industrial Refrigeration Systems
Cooling in Data Centers	Pools and Spas
Chillers	Scrubbers
Fluid Blending Systems	Water Treatment Systems
Natural Gas	

≈ TYPICAL WORKING FLUIDS

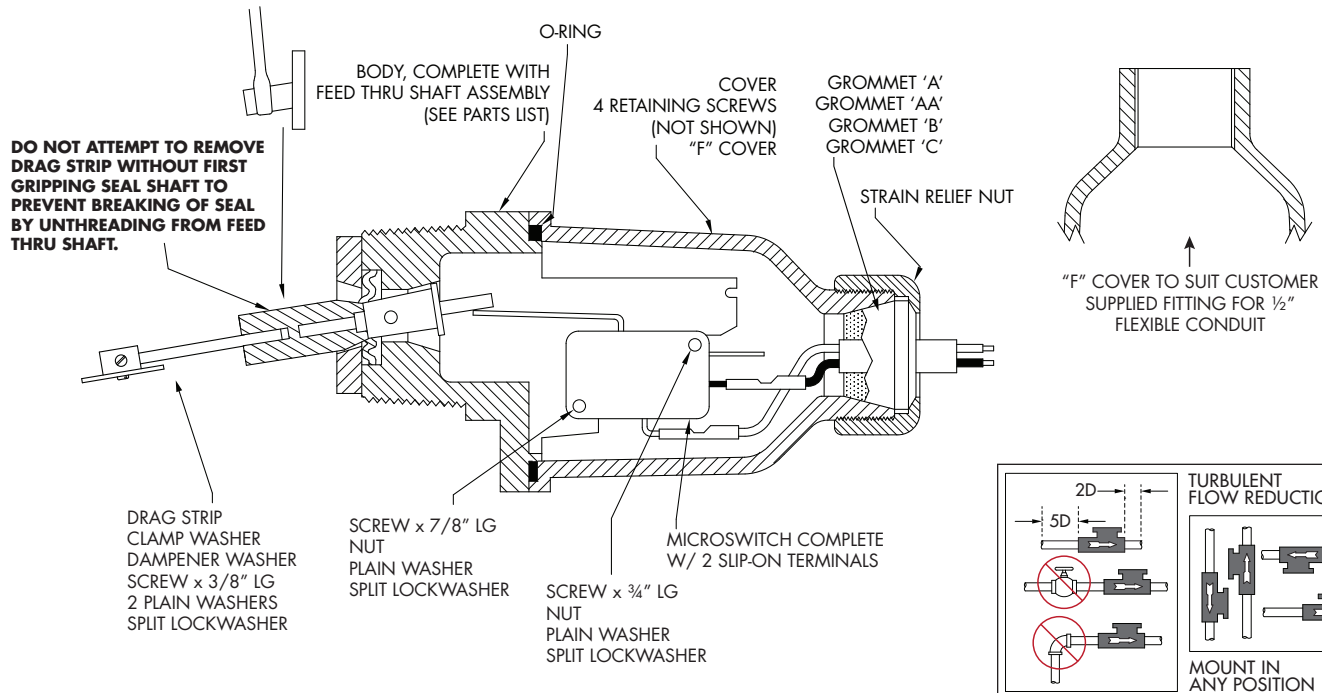
Filtered Sewage Water	Contaminated Ground Water
Mild Acids	Sulfolane
Rusty Coolant Water	Sea Water
Waste Water	Pool Water (low ppm Chlorine)

Q-8DS DPDT

Now available

- 230 Volt
- 11 Amp
- 1/3 Hp

PRODUCT DIAGRAM



**WEIGHT: 0.5 lb.
0.23 kg**



541 Kinetic Drive
Oxnard, CA 93030
www.harwil.com
16.299

Phone: (805) 988-6800
Fax: (805) 988-6804
Email: harwil@harwil.com

MODEL Q-8DS Q-8DS DPDT

MODEL SELECTION CHART

Flow Range (Water calibrated at 70°F / 21°C) Accuracy ±10%

PIPE SIZE NPT	NOMINAL ON/OFF SWITCH POINT RANGE (GPM)	SHAFT LENGTH	PADDLE NUMBER
1"	5.0 - 3.0	-	10512
	9.6 - 7.5	1	2
	18.0 - 15.4	1	1
1 1/2"	12.0 - 9.5	-	10502
	14.2 - 11.8	2	3
	19.0 - 13.5	-	10570A
	22.5 - 19.0	2	2
	34.4 - 30.4	2	1
2"	19 - 12	-	10593
	25.8 - 21.8	2	3
	39.8 - 33.6	2	2
	58.0 - 50.8	2	1
3"	42.4 - 37.0	3	3
	55.6 - 49.8	3	2
	80.6 - 65.2	3	1

Call our customer support for a wider range of pipe sizes. (805) 988-6800

ELECTRICAL CONNECTION

GROMMET	CABLE O.D.	DIAGRAM
A	0.25"	
AA	0.30"	
B	0.37"	
C	0.50"	

CONDUIT FITTINGS (AVAILABLE AT EXTRA COST)

F	0.5" straight		F90°	0.5" 90°	

TECHNICAL SPECIFICATIONS

HYSTERESIS (Δ FLOW RATE TO ACTIVATE/DEACTIVATE SWITCH)

- ≈ 10% at upper end of flow range
- ≈ 30% at lower end of flow range

DIFFERENTIAL PRESSURE DROPS ACROSS UNIT

- Under normal operating conditions:
- ≈ 1"-3" pipe, less than 0.5 psi
 - ≈ 4"-10" pipe, negligible

WORKING LINE PRESSURE:

- 50 psi max., operating @ 180°F
- 100 psi max. non-operating @ 180°F
- Pressure over 50 psi can affect the switch point range

ELECTRICAL SWITCH CHARACTERISTICS

- SPDT 10,000,000 Operations Median
- 15A, 1/2 hp @ 125 or 250VAC
- 1/2A @ 125VDC (tungsten lamp load)

Model Q-8DS can also be fitted with a SPDT Gold Cross Bar Switch for computer/PLC interface or 25A micro switch.

Q-8DS (NORYL®)

WORKING TEMPERATURE: 180°F @ ambient pressure

WETTED MATERIALS:

Body, Cover, and Bushing: Noryl® (PPO) (10% glass fibers)

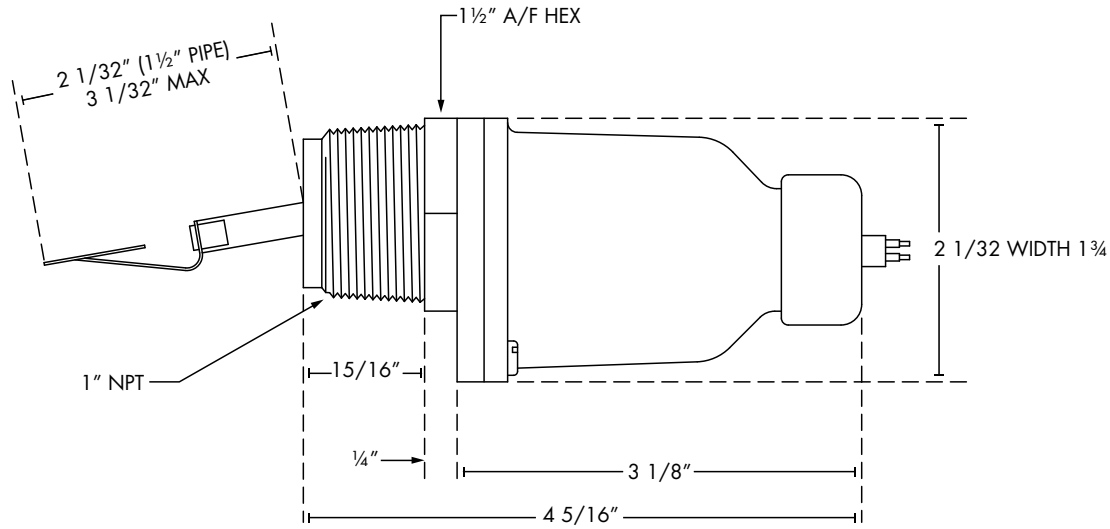
Shaft: 316 stainless steel

Elastomer Seal: Viton®

SAMPLE PART NUMBERS

OPTION 1: Q-8DS			/ 1	/ 1	/ B	OPTION 2: Q-8DS			/ 1	/ 1	/ F
BASE MODEL			↑	↑	↑	BASE MODEL			↑	↑	↑
SHAFT LENGTH						SHAFT LENGTH					
PADDLE SIZE						PADDLE SIZE					
GROMMET SIZE						1/2" FLEXIBLE CONDUIT FITTING					

INSTALLATION DIMENSIONS



- Installation drawing and a numbered parts list is supplied with each unit.
- Special one-day delivery is available.