

LEVEL SWITCH

MODEL L-40N L-40VCR

Side and Top Mount

Corrosion-resistant plastic with optional metal pivot pin (available in 316 stainless steel, HASTELLOY® C, Titanium, or Teflon® or PTFE).

10 times less sensitive from deposit and build-up of contaminants than sliding float models.

Each unit can be supplied with a special made to order 1 1/4" x 1/4" x 1/2" reducer bushing for through wall mounting.

Output wire can be twisted pair 22 gauge or two conductor PVC heavy wall instrument cable.

STANDARD: SPST reed switch for 120/240VAC 50 Watt power or DC dry circuit for computer/PLC interface.



KEY FEATURES

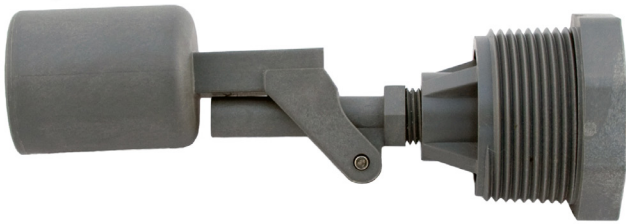
Working Fluid Specific Gravity	Top Mount: 0.8 Side Mount: 0.7
Working Temp	0°-200°F (-18°-93°C)
Working Pressure	250 psi (1.724 MPa)
Process Connection	1/4" NPT
Electrical Switch	SPNO or SPNC, 0.5A
Enclosure	NEMA 6P / IP 67

TYPICAL USES

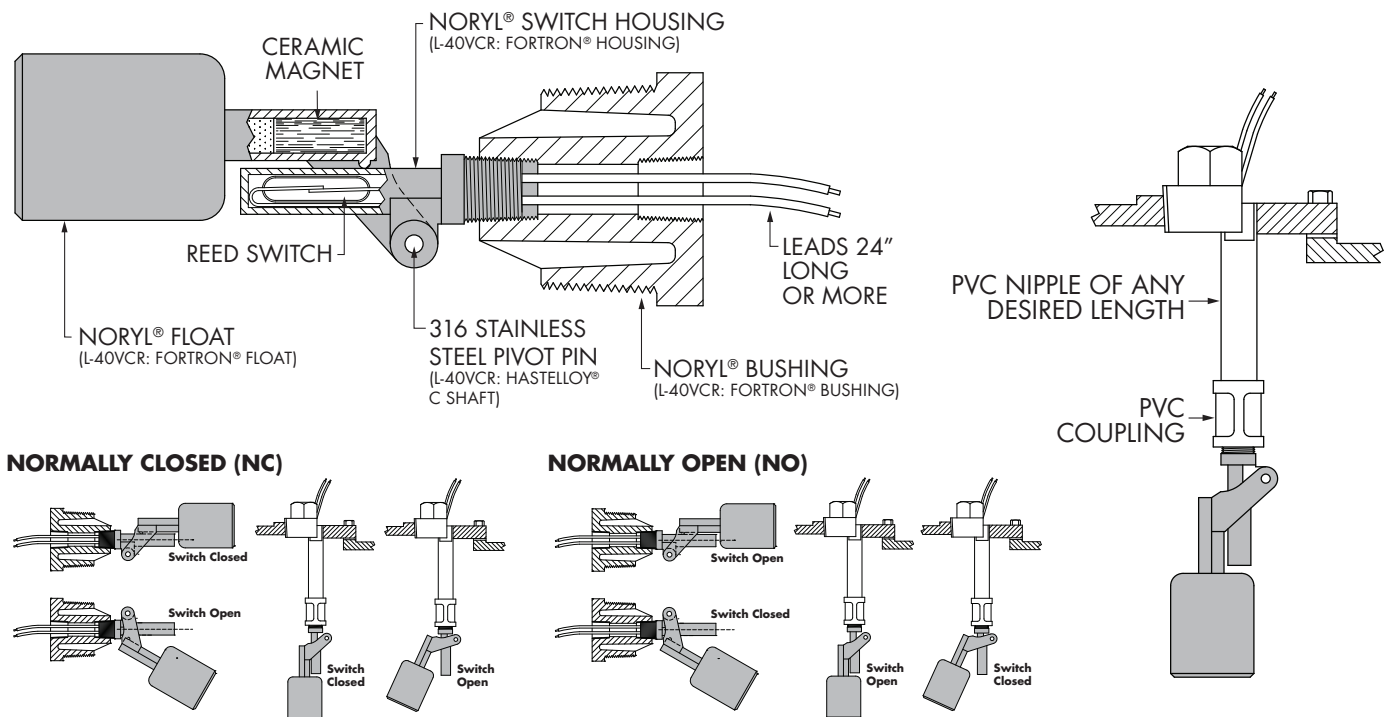
For use in particle contaminated fluids, such as:

TYPICAL WORKING FLUIDS

Mild Acids	Seawater
Mild Bases	Filtered Sewage
Pure Water	Contaminated Ground Water
Process Water	



PRODUCT DIAGRAM



WEIGHT: 5 oz.

142 g



541 Kinetic Drive
Oxnard, CA 93030
www.harwil.com
16.299

Phone: (805) 988-6800
Fax: (805) 988-6804
Email: harwil@harwil.com

SPECIFIC GRAVITY COMPENSATING
 MODEL **L-40N/SG** ALSO AVAILABLE

MODEL L-40N L-40VCR

Customer specified specific gravity sensitivity.

Unique design enhances specific gravity sensitivity.

Applications include fuel/water detection, oil/water detection, or detection of ground water contamination.

SAMPLE PART NUMBER			
OPTION 1: L-40N	/ NO	/ HOR	/ 316
BASE MODEL	↑	↑	↑
SWITCH OPERATION			
MOUNTING POSITION			
PIVOT PIN MATERIAL			

INDUCTIVE LOADS

Switch contacts have been tested with small relays and 30A J-C relay inductive driving coils at 120/240VAC to 500,000 operations without failure. Steady state driving coil Volt/Amp rating should be 8VA or less.

DRY CIRCUIT OPERATION

Switch can interface with microprocessor based controllers and related computer circuits.

NOTE: Model L-40 employs magnetic coupling between float arm and switch body. Magnetic particles can accumulate on and around magnetic housing which may affect proper operation. Please conduct appropriate fluid magnetic particle evaluation and operational tests prior to and during installation and use.

TECHNICAL SPECIFICATIONS

ELECTRICAL (REED) SWITCH CHARACTERISTICS

SPNO

Contact Ratings:

AC Voltage (max. switching) 300VAC

DC Voltage (max. switching) 350VDC

Current (max. switching) 0.5A

Power (max) (VA, W) 50 watts

OPTIONAL: SPNC or SPDT, 3 watt, 100VAC/VDC.

HYSTERESIS (Δ LIQUID LEVEL TO ACTIVATE/DEACTIVATE SWITCH)

≈ 3/8" (0.375") max. travel

L-40N (NORYL®)

WORKING FLUID SPECIFIC GRAVITY:

Top Mount: 0.8 Side Mount: 0.7

WORKING PRESSURE: 200 psi max. continuous

WORKING TEMPERATURE: 180°F max. continuous.

WETTED MATERIALS: Body, Float and Bushing: Noryl® (PPO) (10% glass fibers) Pivot Pin: 316 stainless steel

L-40VCR (FORTRON®)

WORKING FLUID SPECIFIC GRAVITY:

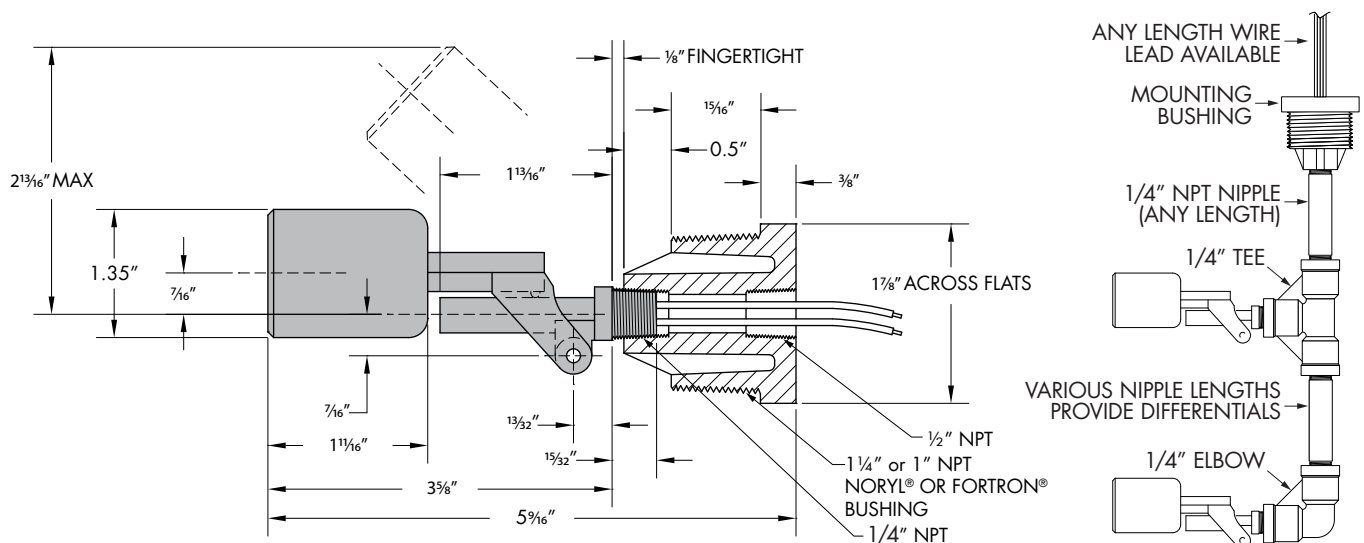
Top Mount: 0.9 Side Mount: 0.7

WORKING PRESSURE: 200 psi max. continuous

WORKING TEMPERATURE: 200°F max. continuous.

WETTED MATERIALS: Body, Float and Bushing: Fortron® (PPO) (40% glass fibers) Pivot Pin: HASTELLOY® C

INSTALLATION DIMENSIONS



- Installation drawing and a numbered parts list is supplied with each unit.
- Special one-day delivery is available.