

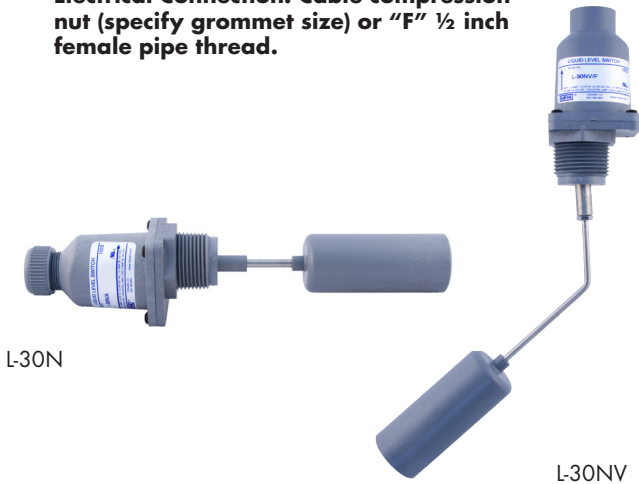
LEVEL SWITCH

MODEL L-30N L-30CR

The L-30 Level Switch is designed for use in potable water or a wide variety of chemicals. See Chemical Compatibility Chart. The liquid seal is continuously flushed by the working fluid and is available with an Optional Rubber Boot if there is particulate in the water. The L-30 Level Switch has models for horizontal or vertical installations. The L-30 Level Switch uses a 15 amp micro switch (SPDT - Single Pole Double Throw).



- Super-simple maintenance and checkout for personnel using a standard test meter.
- High/Low Liquid level alarm
- Solenoid Valve control
- Pump Up/ Pump Down Control (Use with LC-1 or Wireless)
- Intrinsically Safe Relay allows Model L-30 to be used in hazardous areas.
- Connection 1" NPT with 1 x 1/4" NPT bushing included
- **Electrical Connection: Cable compression nut (specify grommet size) or "F" 1/2 inch female pipe thread.**



L-30N

L-30NV

KEY FEATURES

Working Fluid Specific Gravity	0.8 minimum
Working Temp	200°F (93°C) Maximum
Working Pressure	75 psi (517 kPa)
Process Connection	1" with 1 x 1/4" Bushing
Electrical Switch	SPDT 15A or Dry Circuit
Weight	0.5 lb. (0.23 kg)
Enclosure	NEMA 6P / IP 67

TYPICAL USES

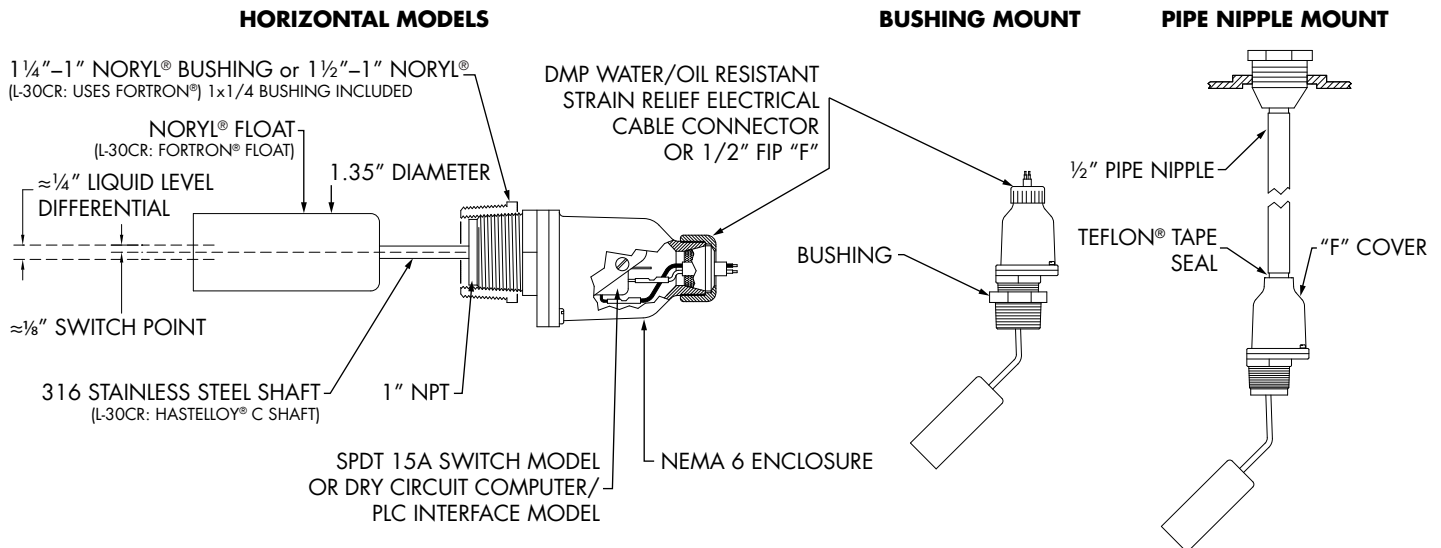
For use in particle contaminated fluids, such as:

Medium Slurries	Contaminated Ground Water
Sewage	Machine Cutting Oils
Waste Water	

TYPICAL WORKING FLUIDS

Water	Mild Acids
Seawater	Mild Bases
Rusty Coolant Water	Various Chemicals

PRODUCT DIAGRAM



541 Kinetic Drive
Oxnard, CA 93030
www.harwil.com
16.299

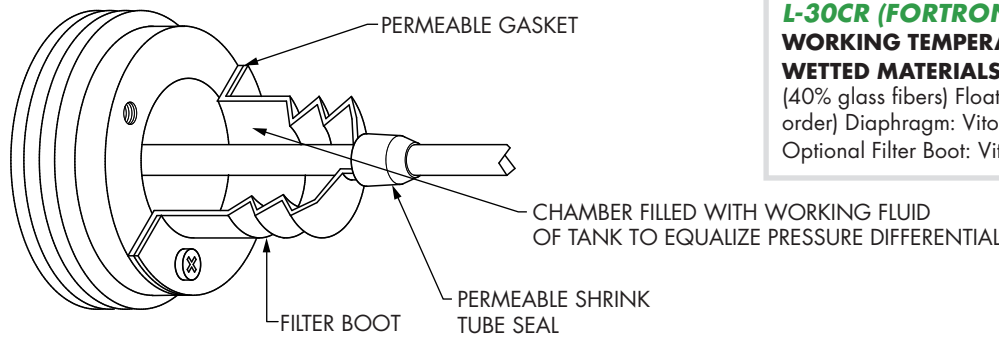
Phone: (805) 988-6800
Fax: (805) 988-6804
Email: harwil@harwil.com

MODEL L-30N L-30CR

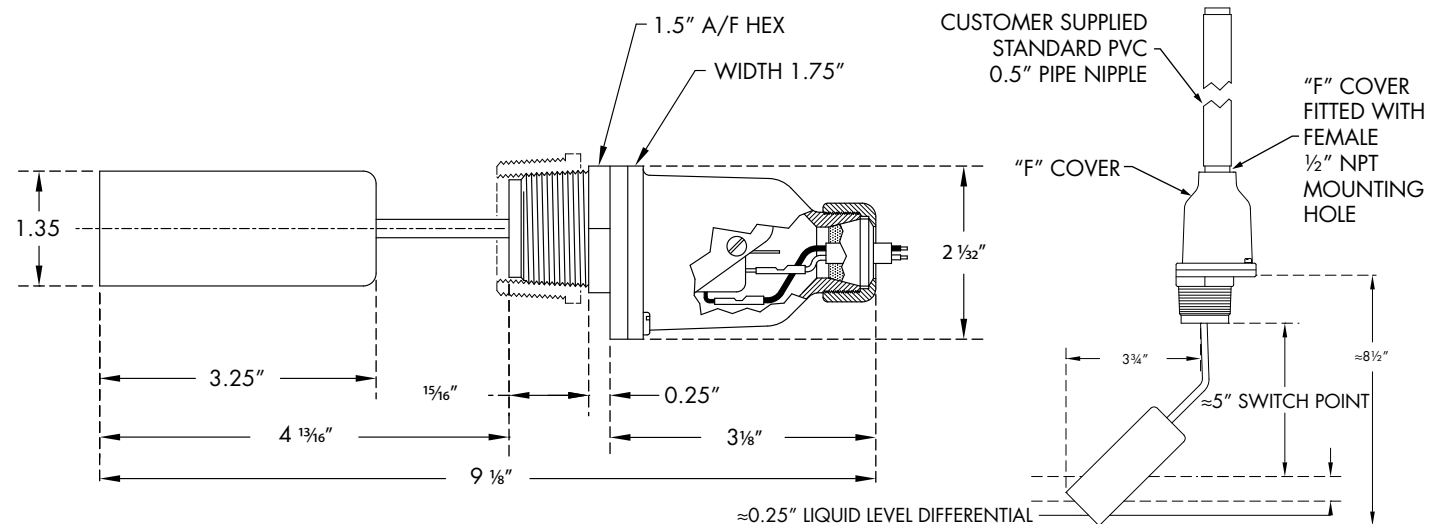
ELECTRICAL CONNECTION					
GROMMET	CABLE O.D.	DIAGRAM			
A	0.25"				
AA	0.30"				
B	0.37"				
C	0.50"				
CONDUIT FITTINGS (AVAILABLE AT EXTRA COST)					
F	0.5" straight		F90°	0.5" 90°	

SAMPLE PART NUMBERS			
OPTION 1: L-30N / A		OPTION 2: L-30N / F	
BASE MODEL	↑	BASE MODEL	↑
GROMMET SIZE		½" FLEXIBLE CONDUIT FITTING	

FILTER BOOT



INSTALLATION DIMENSIONS



TECHNICAL SPECIFICATIONS

HYSTERESIS (Δ LIQUID LEVEL TO ACTIVATE/DEACTIVATE SWITCH)
 ≈ ¼" max. travel

ELECTRICAL SWITCH CHARACTERISTICS
 SPDT 5A @ 125VAC (Tungsten lamp load)
 15 A, ½ hp @ 125 or 250VAC
 ½ A @ 125VDC, ¼ A @ 250VDC 10,000,000 operations median

Gold Cross Bar Dry Circuit Computer/PLC Interface SPDT Switch Model also available. 0.1A or less, 5–24 VAC/DC.

WORKING FLUID SPECIFIC GRAVITY:
 0.8 minimum

WORKING PRESSURE:
 75 psi max. operating
 100 psi max. non-operating

L-30N (NORYL®)
WORKING TEMPERATURE: 180°F max. continuous.
WETTED MATERIALS: Body, Float and Bushing: Noryl® (PPO) (10% glass fibers) Float Shaft and Screws: 316 stainless steel Diaphragm: EPDM (Hypalon optional) Optional Filter Boot: EPDM (Viton® available by special order) Optional Float Material: Polypropylene

L-30CR (FORTRON®)
WORKING TEMPERATURE: 200°F max. continuous.
WETTED MATERIALS: Body, Float and Bushing: Fortron® (PPS) (40% glass fibers) Float Shaft: HASTELLOY® C (Titanium by special order) Diaphragm: Viton® Optional Filter Boot: Viton Optional Float Material: Polypropylene

- Installation drawing and a numbered parts list is supplied with each unit.
- Special one-day delivery is available.