

CONTROLLER

MODEL CF-112

The CF-112 is a stand alone interface module that automatically actuates a chemical feed pump when primary bulk fluid begins to flow.

This module can be used in isolated stand alone systems or part of large complex systems.

Model CF-112 is available for 120VAC or 240VAC, 50-60 Hz power as standard.

Other AC and DC power combinations available per request.



KEY FEATURES

Working Temp	180°F (82°C) Maximum
Working Pressure	250 psi (1.724 MPa)
Process Connection	¾" NPT (½" Option Available)
Electrical Switch	SPNO
Voltages	120V & 240V
Enclosure	NEMA 6 / IP 67

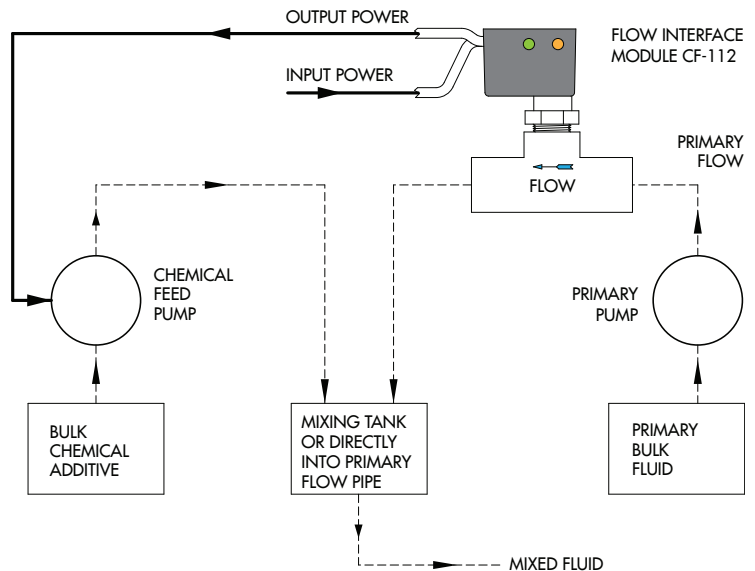
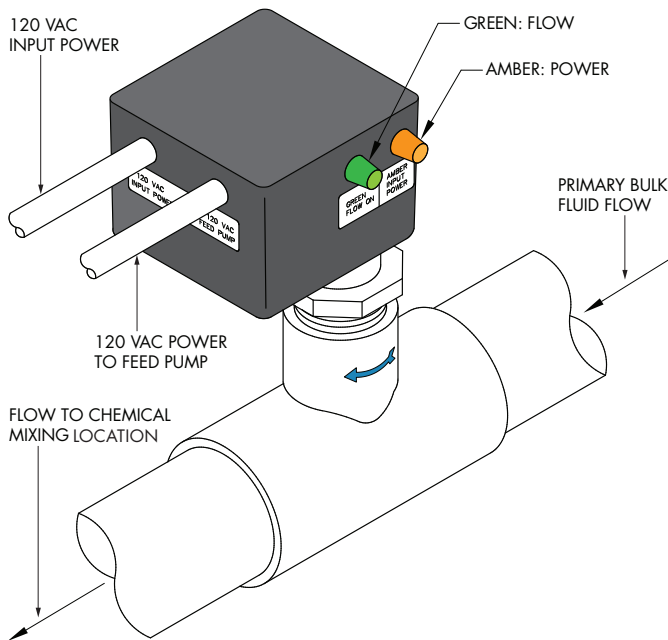
TYPICAL USES

For metering and/or adding chemicals in both continuous and batch fluid systems such as:

- Well Water
- Cooling Tower pH/orp Control
- Drinking Water
- Metal Plating Make Up Solutions
- Waste Fluid Processing
- Boiler Treatment Additives

ALSO SEE:
CF-112: Light Duty
CF-12: Medium Duty
CF-8: Heavy Duty

PRODUCT DIAGRAM



MODEL CF-112

MODEL SELECTION CHART			
Flow Range (Water calibrated at 70°F / 21°C) Accuracy ±10%			
PRIMARY FLOW LINE SIZE	PRIMARY FLOW ON/OFF SET POINT (GPM)		CF-112N PART NUMBER
	ON	OFF	
¾"	0.9	0.8	CF-112N-.75
1"	1.1	1.0	CF-112N-1
1½"	2.8	2.5	CF-112N-1.5
2"	4.9	4.4	CF-112N-2

Note: Consult factory for larger pipes and lower ON/OFF switch set points.

SAMPLE PART NUMBER		
OPTION 1: CF-112N	/PIPE	/VOLT
BASE MODEL AND PART NUMBER	1	120
	PIPE SIZE	
		VOLTAGE

WORKING PRESSURE

250 psi max. continuous

WORKING TEMPERATURE

180°F max. continuous.

SHOCK OPERATION

10g for 11ms with no contact open.

SHOCK LIMIT

10g

WETTED MATERIALS

Body and Bushing: Noryl® (PPO)
(10% glass fibers)

Blade: 316 stainless steel
Seal: Epoxy

ELECTRICAL SWITCH CHARACTERISTICS

Feed pump motor maximum contact ratings.

VOLTAGE: 120VAC, 220VAC

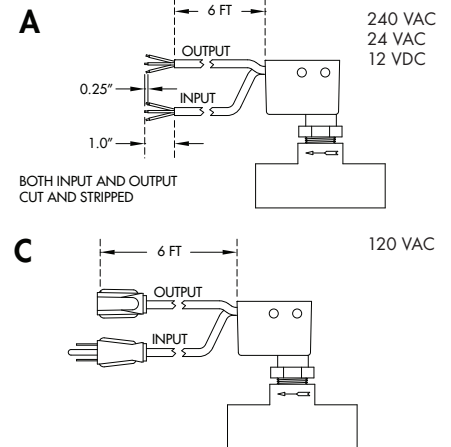
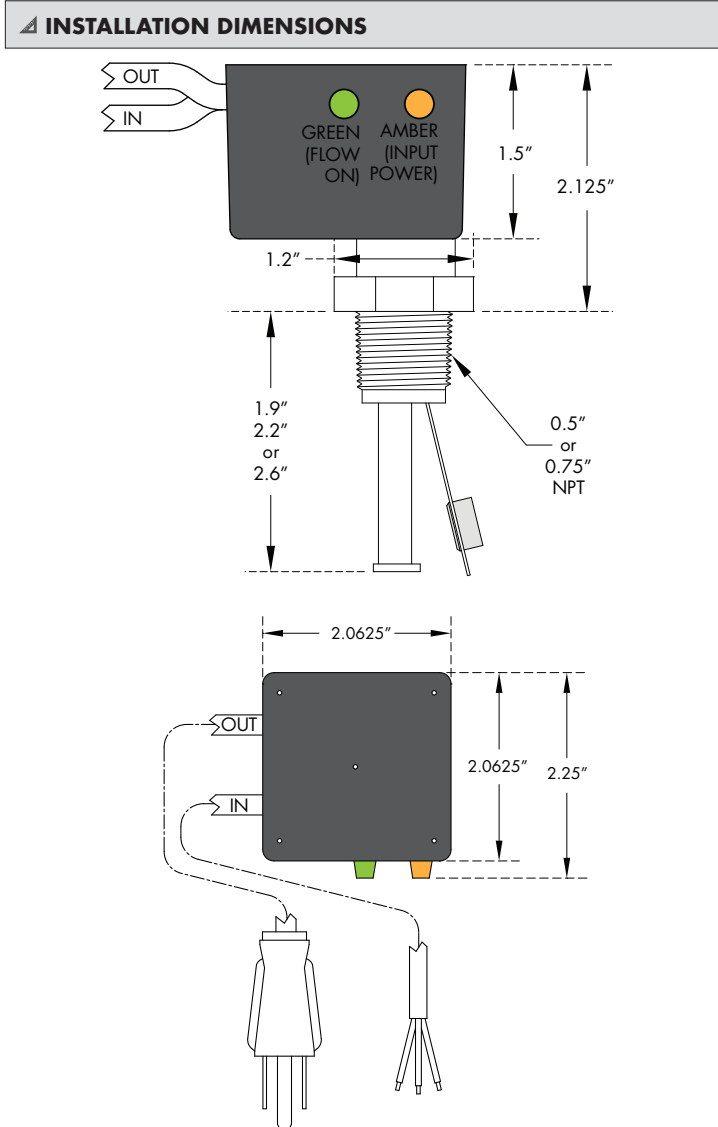
LOAD TYPE (RESISTIVE): 10A

MOTOR: ⅓ hp

SWITCH CONTACTS: SPNO

Consult factory for other AC motor voltages plus DC motor operation.

NOTE: All circuitry potted in flexible urethane for max. Long term shock, thermal, stress, and moisture protection.



- Installation drawing and a numbered parts list is supplied with each unit.
- Special one-day delivery is available.