

# LEVEL SWITCH

# MODEL L-5 L-5SS

## SPECIFIC GRAVITY COMPENSATING.

Featuring continuously adjustable float buoyancy control to allow use in fluids with specific gravity down to 0.6.

Continuous buoyancy control allows switch activation at oil/water interface.

May be used in hazardous areas when used with intrinsically safe relays.

Consult factory for other dual-component fluid interface systems.

Horizontal Mounting Only

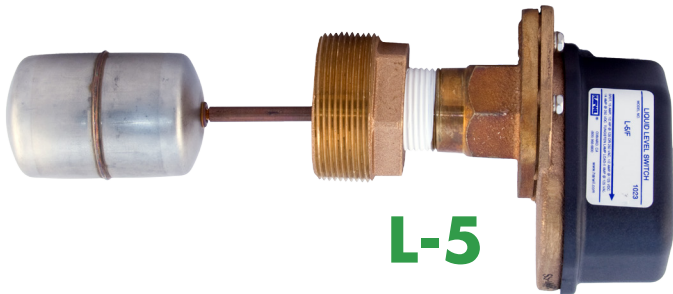
High/Low Liquid Level Alarm

Solenoid Valve On/Off Control



### KEY FEATURES

Working Fluid Specific Gravity	<b>Adjustable between 0.6 &amp; 1.0+</b>
Working Temp	<b>180°F (82°C) Maximum</b>
Working Pressure	<b>300 psi (2,068 kPa)</b>
Process Connection	<b>1" NPT</b>
Electrical Switch	<b>SPDT 15A or Dry Circuit</b>
Enclosure	<b>NEMA 4 / IP 66</b>



**L-5**

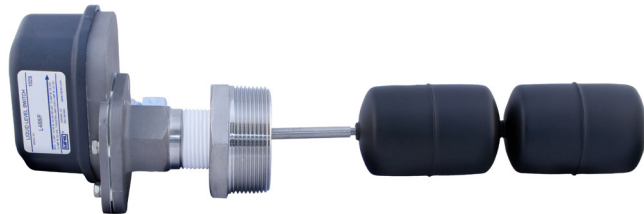
### TYPICAL USES

For use in particle contaminated fluids, such as:

- Seawater
- Sewage
- Waste Water
- Contaminated Ground Water
- Rusty Coolant Water

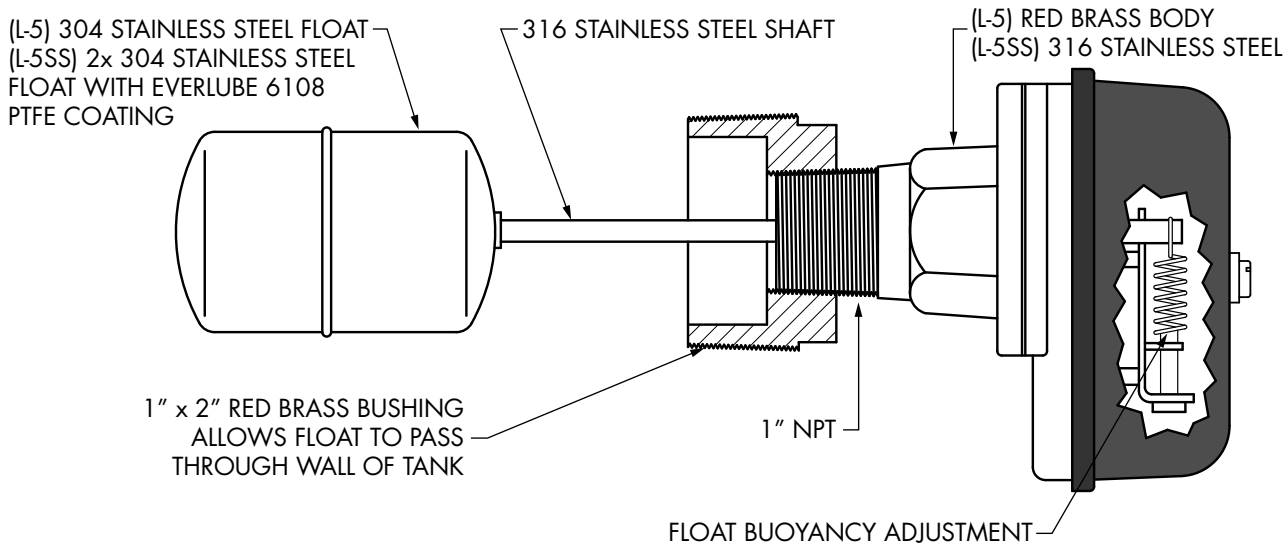
### TYPICAL WORKING FLUIDS

- Alcohols
- Glycols
- Soap Solutions
- Machine Cutting Oils
- Slurries
- Water



**L-5SS**

### PRODUCT DIAGRAM



**WEIGHT: 3 lb.  
1.36 kg**



541 Kinetic Drive  
Oxnard, CA 93030  
www.harwil.com  
16.299

Phone: (805) 988-6800  
Fax: (805) 988-6804  
Email: harwil@harwil.com

# MODEL L-5 L-5SS

DOUBLE POLE, DOUBLE THROW (DPDT)

MODEL **LD-5** ALSO AVAILABLE

2 single pole, double throw (SPDT) switches provide DPDT action. 2 physically ganged but electronically independent switches provide a combination of 2 isolated AC or DC circuits; high or low voltage circuits; or power or gold cross bar computer/PLC dry circuits.

Electrical connection is made directly to switch terminals with standard spade "Quick Connects" supplied with each unit.

### ELECTRICAL CONNECTION

GROMMET	CABLE O.D.	DIAGRAM
A	0.25"	
AA	0.30"	
B	0.37"	
C	0.50"	

### CONDUIT FITTINGS

F	0.5" straight		F90°	0.5" 90°	

### TECHNICAL SPECIFICATIONS

#### HYSTERESIS ( $\Delta$ LIQUID LEVEL TO ACTIVATE/DEACTIVATE SWITCH)

$\approx 1/4$ " travel

#### WORKING FLUID SPECIFIC GRAVITY RANGE

Adjustable between 0.6 and 1.0+

#### WORKING PRESSURE

300 psi max. continuous

#### WORKING TEMPERATURE

180°F max. continuous.

#### WETTED MATERIALS (RED BRASS)

Body and Bushing: Red brass  
Float Shaft: Phosphor bronze  
Hardware: 316 stainless steel

Float: 304 stainless steel  
Seal: EPDM  
Gasket: Cork/Nitrile blend

#### WETTED MATERIALS (STAINLESS STEEL)

Body, Bushing, Float Shaft,  
Hardware: 316 stainless steel  
Float: 304 stainless steel

Float Coating: Everlube 6108 PTFE  
Seal: Viton® or FKM  
Gasket: Teflon® or PTFE

#### ELECTRICAL SWITCH CHARACTERISTICS

SPDT

15 A, 1/2 hp @ 125 or 250VAC

1/2A @ 125VDC, 1/4A @ 250VDC

5A @ 125VAC (Tungsten lamp load)

10,000,000 operations median

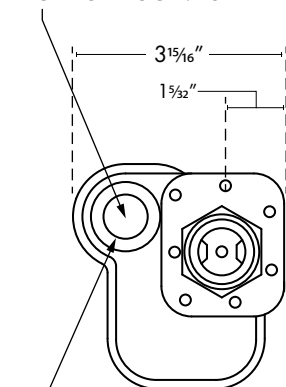
Gold Cross Bar Dry Circuit Computer/PLC Interface SPDT Switch Model also available.

### SAMPLE PART NUMBERS

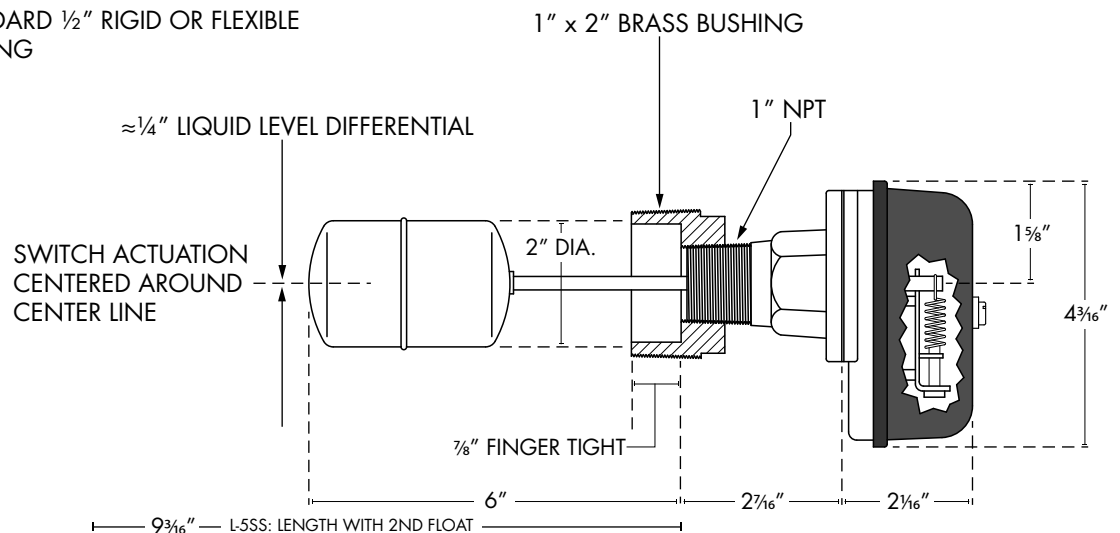
OPTION 1: L-5 / A	OPTION 2: L-5 / F
BASE MODEL	BASE MODEL
GROMMET SIZE	1/2" FLEXIBLE CONDUIT FITTING

### INSTALLATION DIMENSIONS

HOLE TO SUIT STRAIN RELIEF CABLE FITTING SUPPLIED BY HARWIL OR ANY STANDARD 1/2" RIGID OR FLEXIBLE ELECTRICAL CONDUIT FITTING



OPTION 1, 2



- Installation drawing and a numbered parts list is supplied with each unit.
- Special one-day delivery is available.