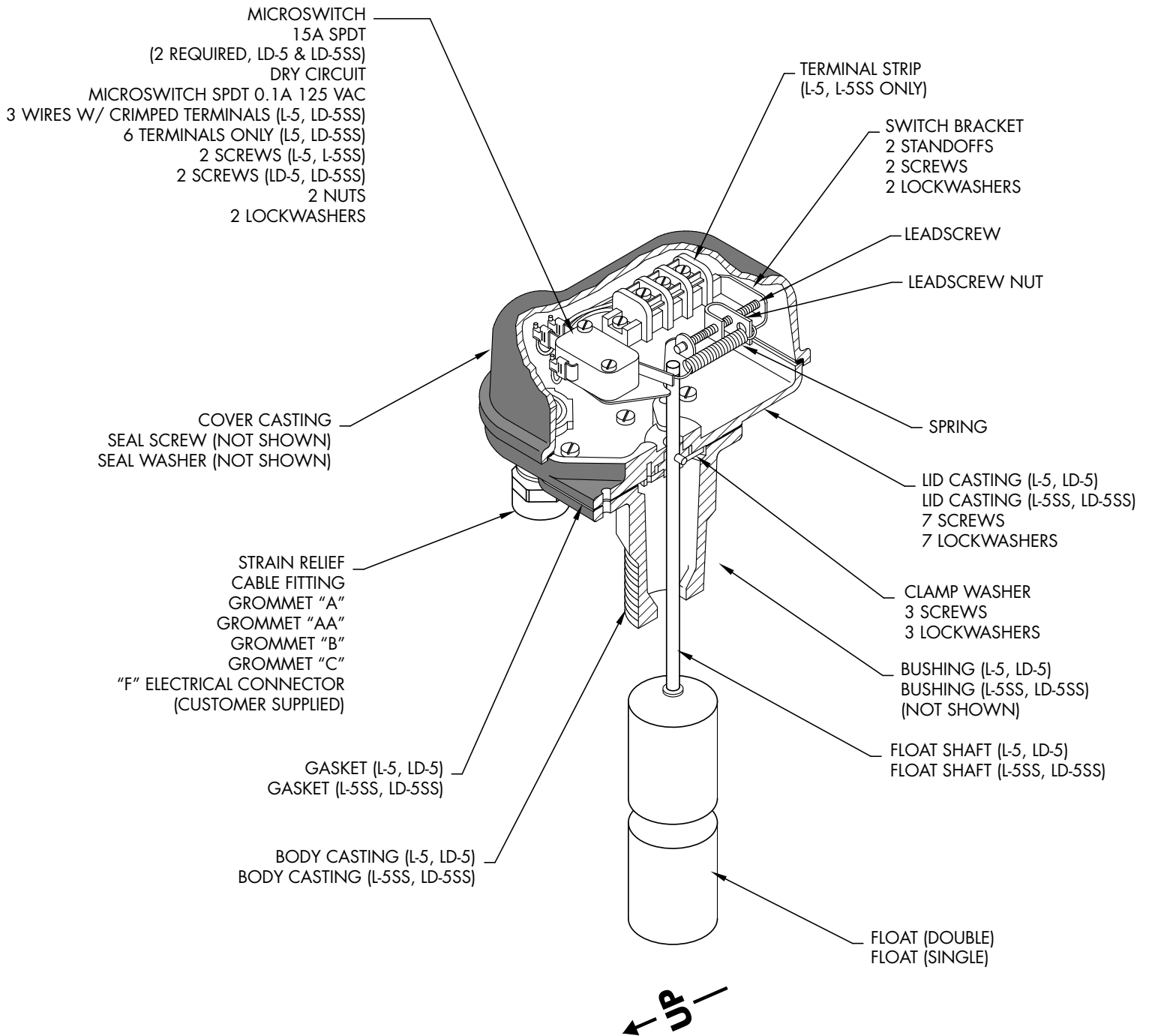


MODEL L-5

INSTALLATION INSTRUCTION SHEET

HARWIL CORPORATION
 541 KINETIC DRIVE, OXNARD, CA 93030
 TEL: (805) 988-6800 FAX: (805) 988-6804
 EMAIL: HARWIL@HARWIL.COM



NOTE: THOSE PARTS NOT SPECIFIED OTHERWISE ARE COMMON TO ALL MODELS: L-5, L-5SS, LD-5, AND LD-5SS

MODEL L-5

INSTALLATION INSTRUCTION SHEET

HARWIL CORPORATION
541 KINETIC DRIVE, OXNARD, CA 93030
TEL: (805) 988-6800 FAX: (805) 988-6804
EMAIL: HARWIL@HARWIL.COM

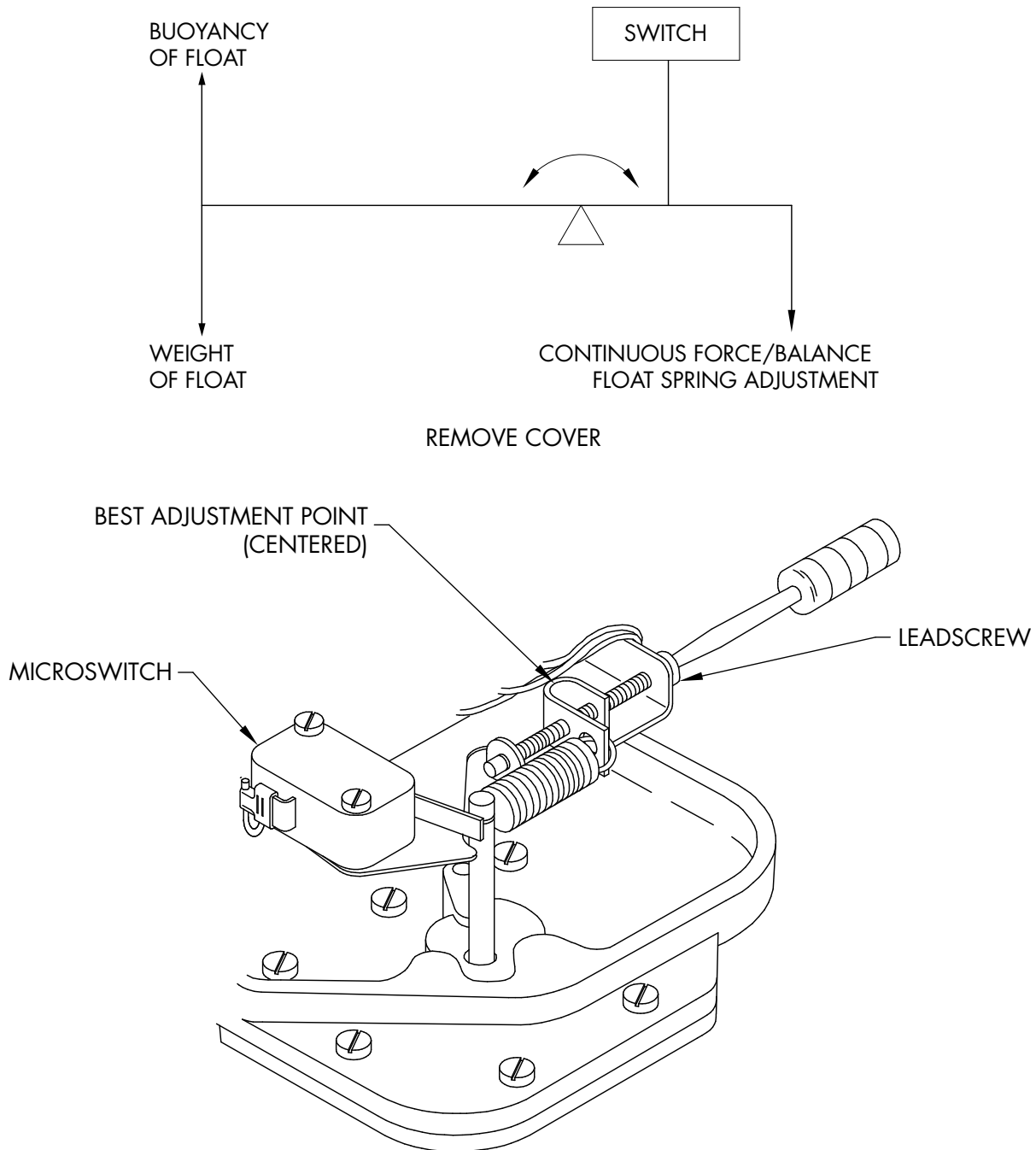
- c. Fork terminals are supplied with each switch. Remove from terminal strip and crimp or solder to appropriate leads.
 - d. Feed cable up through cable fitting and attach leads to terminal strip per wiring schematics. Fig. 1 or Fig. 2 below.
 - e. Push rubber grommet into conical hole in cable fitting, allowing enough cable to protrude from opposite side to allow some slack in leads attached to terminal strip. Grip cable to prevent rotation and thread gland nut onto the cable fitting to seal grommet tightly to cable.
2. Models LD-5 and LD-5SS are supplied with Harwil strain relief cable fitting for use with round, rubber or plastic jacketed power cable.
- a. As "1-a" above.
 - b. Strip outer jacket of cable back 2". Strip insulation from individual conductors approximately ¼".
 - c. Each microswitch is supplied with 3 flag slip on terminals. Remove microswitch and crimp or solder to appropriate leads.
 - d. Feed cable up through cable fitting and attach leads to microswitches per wiring schematics. Fig. 1 or Fig. 2 below.
 - e. Push rubber grommet into conical hole in cable fitting. Side cable through until end of jacket is flush with inboard end of cable fitting. Grip cable to prevent rotation and thread gland nut onto cable fitting to seal grommet tightly to cable.
3. Electrical fitting other than Harwil strain relief fitting.
- a. Attach fitting to body and attach conduit to fitting and wire to local code per wiring schematics Fig. 1 or Fig. 2.
 - b. Microswitch actuation point may be monitored by an audible click or with an ohm meter before connecting line power to the terminal strip or by monitoring the voltage supplied to the load through the microswitch.

MODEL L-5

INSTALLATION INSTRUCTION SHEET

HARWIL CORPORATION
541 KINETIC DRIVE, OXNARD, CA 93030
TEL: (805) 988-6800 FAX: (805) 988-6804
EMAIL: HARWIL@HARWIL.COM

Models L-5, LD-5, L-5SS, and LD-5SS are provided with a continuous adjustable float buoyancy control to allow use in fluids with specific gravity down to 0.6.



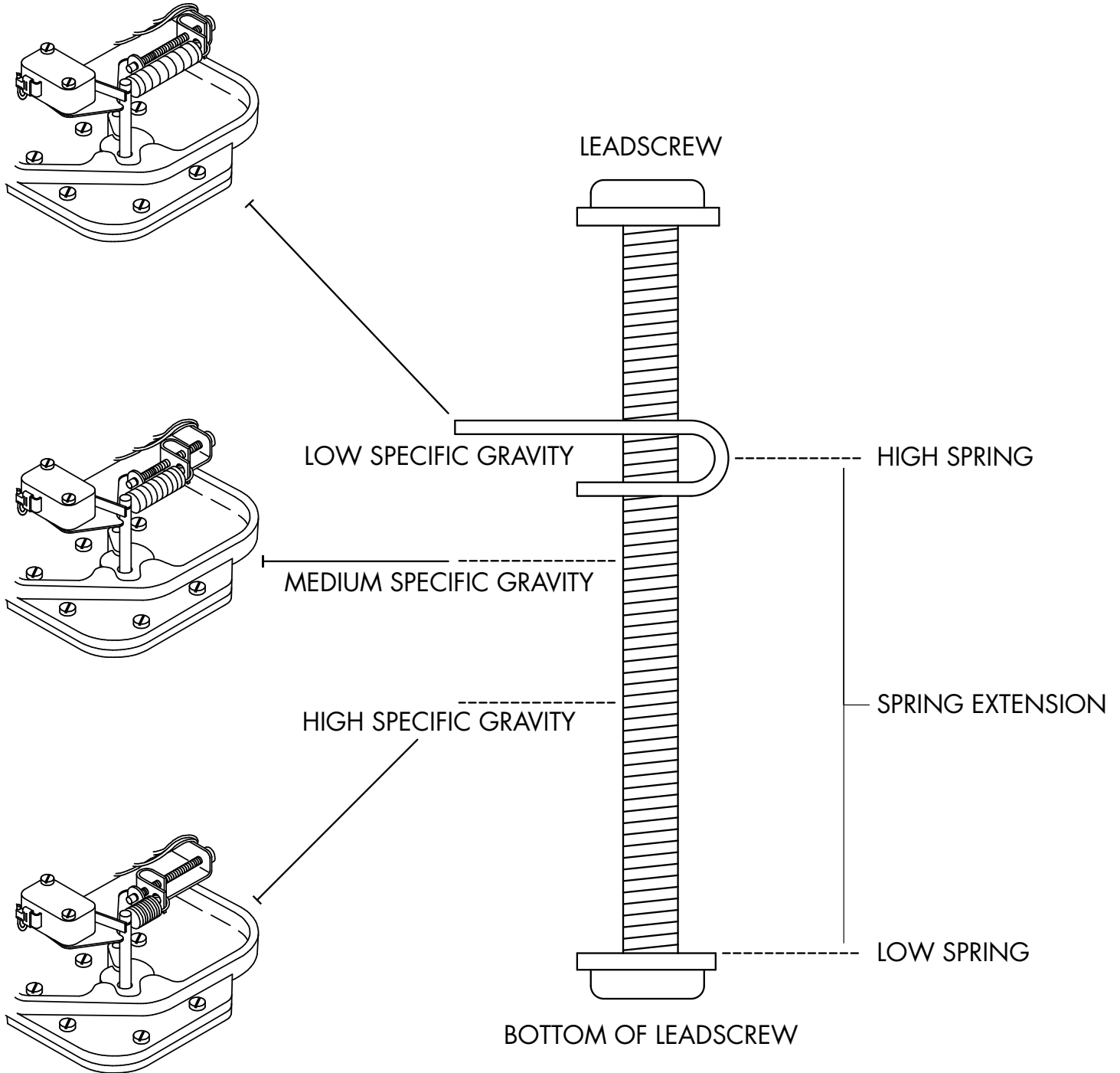
1. Remove cover.
2. All units are delivered with the spring in the fully relaxed condition which corresponds to the maximum specific fluid condition.
3. Insert blade type screwdriver in slotted end of adjusting screw and turn in a clockwise direction. This extends the length of adjusting spring, which in turn adjusts the float net effective buoyancy to respond to lower specific gravity fluids.

MODEL L-5

INSTALLATION INSTRUCTION SHEET

HARWIL CORPORATION
541 KINETIC DRIVE, OXNARD, CA 93030
TEL: (805) 988-6800 FAX: (805) 988-6804
EMAIL: HARWIL@HARWIL.COM

SPECIFIC GRAVITY FLUIDS



Microswitch actuation point may be monitored during the adjustment procedure detailed in (2 and 3) above by an audible click or with an ohm meter before connecting line power to the terminal strip, or by monitoring the voltage supplied to the load through the microswitch.

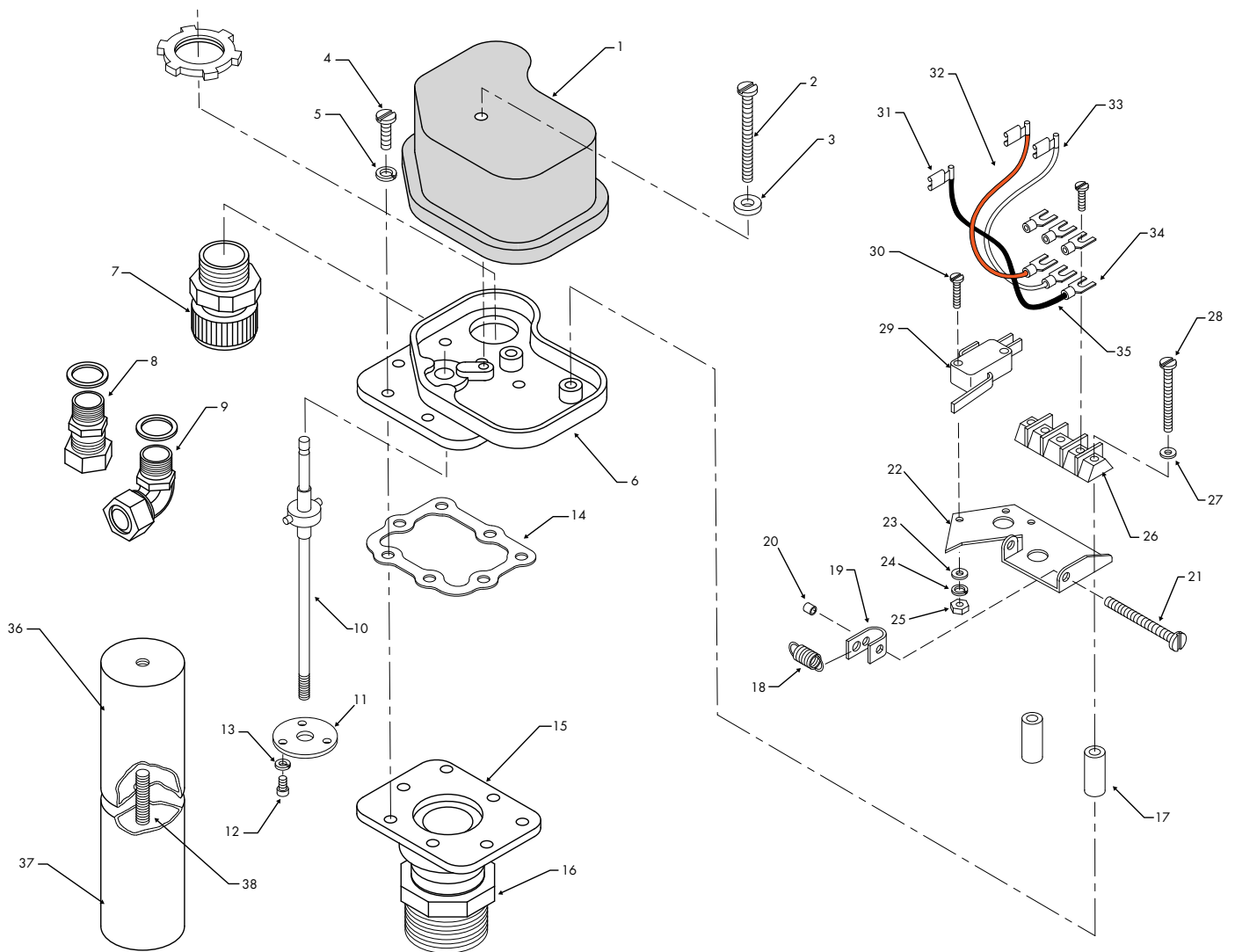
MODEL L-5

INSTALLATION INSTRUCTION SHEET

HARWIL CORPORATION
 541 KINETIC DRIVE, OXNARD, CA 93030
 TEL: (805) 988-6800 FAX: (805) 988-6804
 EMAIL: HARWIL@HARWIL.COM

L-5, LD-5 (Brass Body) (Series 20500)

Number.	Part Name	Qty	Part Number	Number.	Part Name	Qty	Part Number
1	COVER CASTING	(1)	20300	14	GASKET	(1)	20307
2	SCREW	(1)	112-S	15	BODY CASTING	(1)	20208
3	LOCKWASHER	(1)	321-W	16	BUSHING	(1)	20505
4	SCREW	(7)	107-S	17	SPACER	(2)	20315
5	WASHER	(7)	319-W	18	SPRING	(1)	20316
6	LID CASTING	(1)	20301	19	LEADSCREW	(1)	20107
7	CONNECTOR CABLE			20	SHRINKWRAP	(1)	901-F
	- optional	(1)	60116	21	SCREW	(1)	132-S
	BODY	(1)	10429	22	BRACKET	(1)	20314
	NUT	(1)	10430	23	WASHER	(1)	300-W
	GROMMET #A	(1)	10440	24	WASHER	(2)	311-W
	GROMMET #AA	(1)	10441	25	NUT	(2)	201-N
	GROMMET #B	(1)	10442	26	TERMINAL STRIP	(1)	20102
	GROMMET #C	(1)	10443	27	WASHER	(2)	313-W
	LOCKNUT	(1)	101-DC	28	SCREW	(2)	117-S
	O RING	(1)	20117	29	MICROSWITCH	(1)	20103
8	CONNECTOR CABLE			30	SCREW	(2)	116-S
	- optional	(1)	20115	31	TERMINALS	(3)	708-T
9	CONNECTOR CABLE			32	WIRE	(1)	20319
	- optional	(1)	20116	33	WIRE	(1)	20318
10	FEEDTHRU SHAFT			34	TERMINALS	(3)	706-T
	- assembly only	(1)	20501	35	WIRE	(1)	20317
	RUBBER MOLDED	(1)	20134	36	FLOAT	(1)	20504
	PIN	(1)	20135	37	FLOAT	(1)	20502
11	WASHER	(1)	324-W	38	STUD	(1)	20503
12	SCREW	(3)	118-S	39	LABEL	(1)	20320
13	WASHER	(3)	311-W	40	INSTRUCTION SHEETS	(1)	20506



MODEL L-5

INSTALLATION INSTRUCTION SHEET

HARWIL CORPORATION
 541 KINETIC DRIVE, OXNARD, CA 93030
 TEL: (805) 988-6800 FAX: (805) 988-6804
 EMAIL: HARWIL@HARWIL.COM

L-5SS, LD-5SS (316 Stainless Steel Body) (Series 20600)

Number.	Part Name	Qty	Part Number	Number.	Part Name	Qty	Part Number
1	COVER CASTING	(1)	20300	14	GASKET	(1)	20407
2	SCREW	(1)	112-S	15	BODY CASTING	(1)	20408
3	LOCKWASHER	(1)	321-W	16	BUSHING	(1)	20602
4	SCREW	(7)	107-S	17	SPACER	(2)	20315
5	WASHER	(7)	319-W	18	SPRING	(1)	20108
6	LID CASTING	(1)	20401	19	LEADSCREW	(1)	20107
7	CONNECTOR CABLE			20	SHRINKWRAP	(1)	901-F
	- optional	(1)	60116	21	SCREW	(1)	132-S
	BODY	(1)	10429	22	BRACKET	(1)	20314
	NUT	(1)	10430	23	WASHER	(1)	300-W
	GROMMET #A	(1)	10440	24	WASHER	(2)	311-W
	GROMMET #AA	(1)	10441	25	NUT	(2)	201-N
	GROMMET #B	(1)	10442	26	TERMINAL STRIP	(1)	20102
	GROMMET #C	(1)	10443	27	WASHER	(2)	313-W
	LOCKNUT	(1)	101-DC	28	SCREW	(2)	117-S
	O RING	(1)	20117	29	MICROSWITCH	(1)	20103
8	CONNECTOR CABLE			30	SCREW	(2)	116-S
	- optional	(1)	20115	31	TERMINALS	(3)	708-T
9	CONNECTOR CABLE			32	WIRE	(1)	20319
	- optional	(1)	20116	33	WIRE	(1)	20318
10	FEEDTHRU SHAFT			34	TERMINALS	(3)	706-T
	- assembly only	(1)	20601	35	WIRE	(1)	20317
	RUBBER MOLDED	(1)	20405	36	FLOAT	(1)	20504
	PIN	(1)	20406	37	FLOAT	(1)	20502
11	WASHER	(1)	324-W	38	STUD	(1)	20503
12	SCREW	(3)	118-S	39	LABEL	(1)	20408
13	WASHER	(3)	311-W	40	INSTRUCTION SHEETS	(1)	20506

